

FR-3

3 Stage Relay Control for HVAC systems

Overview

The FR-3 is used to convert an analogue 0-10V control signal to 3 stages of relay switching output. FR-3 offers two selectable control options:-

Option 1: Heat/Cool used to sequence control 3 functions such as FAN/COOL/HEAT

Option 2: Step control used to operate 3 stages of plant such as Boilers, Chillers, Electric Heating and particularly used for switching 3 speed fans.

Specification

Power Supply: 24V AC/DC +/-10%

Input (Signal): 0-10V DC (load 0.5mA max)

Output Contacts: 3 x Volt free 5A at 240V AC (inductive)

Power Consumption: 90mA max

Switching Volts: See table

Selectable Options: - Heat / Cool or 3 Stage

- Off / Man / Auto

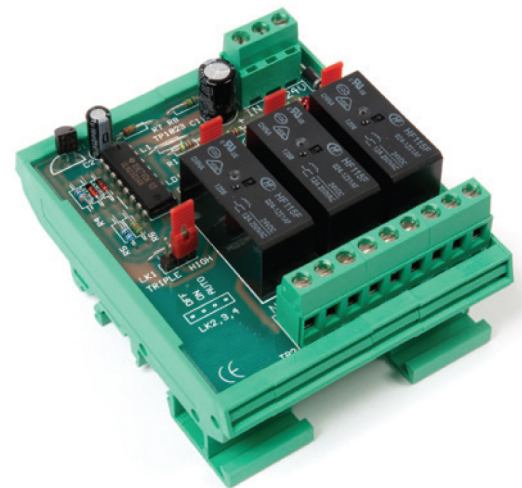
LED Indication: When relay energised

Terminals: 1.0mm² recommended 2.5mm² max

Operating Temperature: 0 to 50°C

Dimensions: 82mm (H) x 66 mm (W) x 50mm (D)

Compatible With: HVAC-1 controller



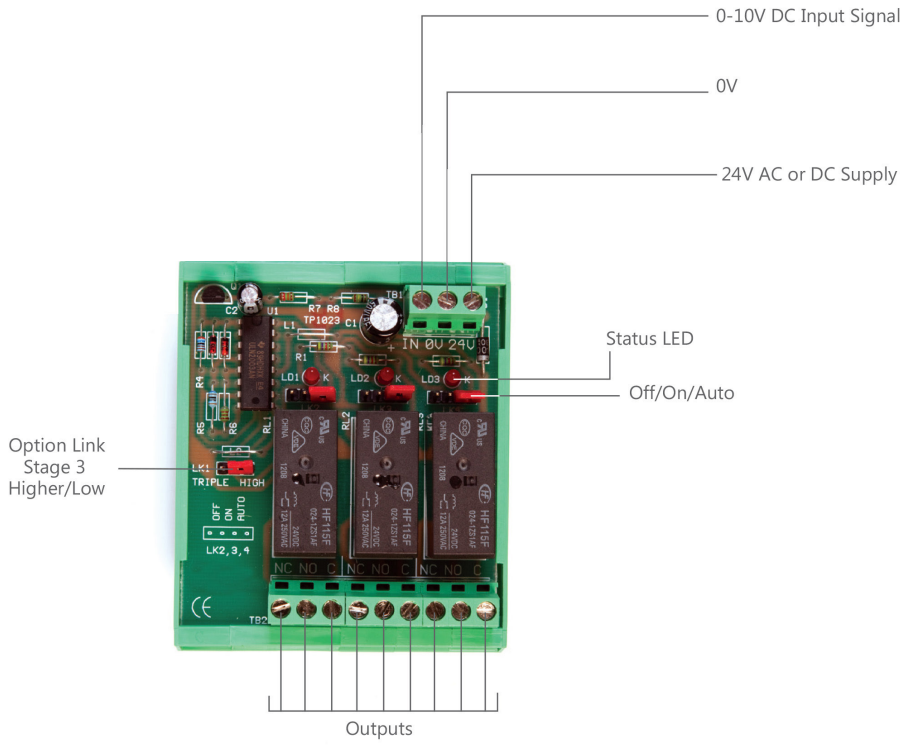
Order Code

FR-3: 3 Stage Relay Control



Powering Business Worldwide

Connections



Switching Volts

Switching Voltage	Heat Cool			3 Stage Control		
	R1	R2	R3	R1	R2	R3
0	Off	Off	Off	Off	Off	Off
3	On	On	Off	On	Off	Off
6	On	Off	Off	On	On	Off
9	On	Off	On	On	On	On

Contact your local Eaton office

T: +44 (0)1923 495495 F: +44 (0)1923 228796
 E: enquiries@iLight.co.uk www.iLight.co.uk

Eaton Lighting Systems
 20 Greenhill Crescent,
 Watford Business Park,
 Watford, Herts, WD18 8JA. UK
 eatonlightingsystems.com

© 2019 Eaton
 All Rights Reserved

Document No: FR-3 Rev3 0719

Changes to the products, to the information contained in this document, and to prices are reserved; so are errors and omissions.

Eaton is a registered trademark.

All other trademarks are property of their respective owners.