

RI-2

Relay Interface

Key Features

- 8 Switch Outputs, for LED indication
- 8 Relay Outputs – volt free changeover contacts with 3A general rating
- 8 inputs, programmable as analogue or digital
- Digital inputs used for volt free switches, or motion detectors
- Analogue inputs any 0-10v signal
- 2 alarm / auxiliary inputs
- Audio visual port RS485 including 100 input strings, 100 output strings and selectable Baud rate.
- 16 sequences of 128 steps
- Configuration stored in Non Volatile EEPROM
- Firmware storage in reflashable FLASH memory over iCAN network
- Configurable start up mode
- CE compliant to all relevant standards
- Designed and manufactured to ISO9001:2015 standards

Overview

RI-2 provides a versatile interface between an iLight system and other control systems. This compact unit can be mounted virtually anywhere. It has eight inputs, which may be programmed to be either digital or analogue. The unit also has eight volt-free mains rated low power relays. These allow a wide range of external equipment to be controlled. All inputs and outputs are fully programmable as to their function.

This interface allows the iLight iCANnet™ network to control other systems and other systems to communicate with the iCANnet™ network. RI-2 may be programmed to control curtains & blinds, screens, AV and other presentation equipment as well as controlling contactors for heavier power applications. With the control inputs set to analogue, any 0-10V source can be programmed to control system functions. The unit could also be programmed such that system sequences could be activated by a motion detector or other devices on the iCANnet™ network. The adaptability and versatility of this product make it an essential item in larger, more sophisticated venues where more than just lighting control is required.



Mechanical Data

Power/Output Cable Access:

5 x 25mm knockouts, 5 x PG16 knockouts

Control Cable Access:

1 x 25mm knockout, 1 x PG16 knockout

Climate Range:

Temperature: +2°C to +40°C

Humidity: +5 to 95% non condensing

Control Inputs:

Two sets of terminals for the iCANnet™ network

One set of terminals for Audio Visual Port RS485

One set of terminals for the switch inputs

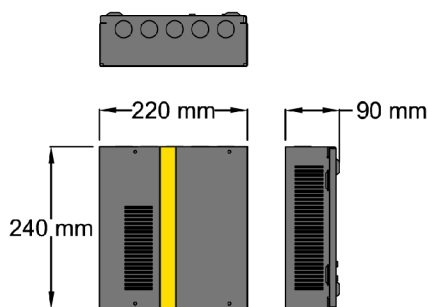
Control Outputs:

One set of terminals for the LED outputs

Relay Outputs:

One set of terminals for the relay outputs

Dimensions



Electrical Data

Supply: 230 volts +/-10% 50/60Hz

Protection: External protection required

Internal Electronics fuse only

Terminal Sizes:

iCANnet™ cable size: 5 x 1.5mm²

Control input cable size: 10 x 1.5mm²

Switch output cable size: 9 x 1.5mm²

Audio Visual Port cable size: 2 x 1.5mm²

Relay output cable size: 24 x 1.5mm²

Switched outputs:

8 x Volt free relays – changeover contacts rated 230volts +/-10% 50/60Hz

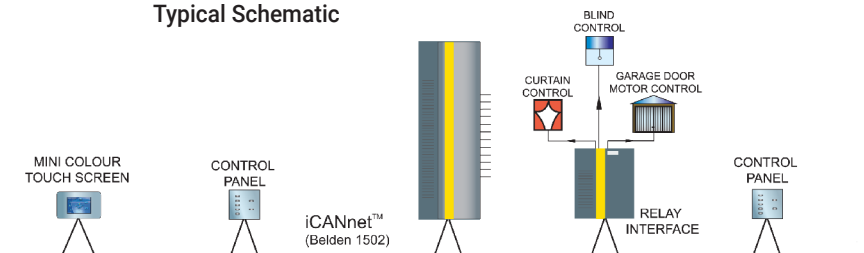
3A resistive max

Memory

FLASH memory to be able to upgrade firmware

EEPROM for program and sequence memory

Typical Schematic



Contact Us

+44 (0)1923 495495

enquiries@iLight.co.uk

www.iLight.co.uk

Cooper Lighting Solutions
20 Greenhill Crescent,
Watford Business Park,
Watford, Herts, WD18 8JA. UK

© 2020 Cooper Lighting Solutions
All Rights Reserved

RI-2 Rev6 0520

Changes to the products, to the information contained in this document, and to prices are reserved; so are errors and omissions.

iLight is a registered trademark.

All other trademarks are property of their respective owners.