

# MPD-W-EXT-230V

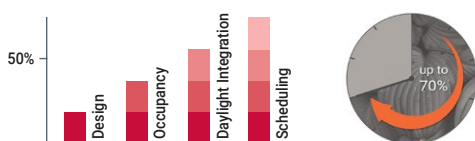
## Weather Proof Microwave Presence Detector - wall mounted

### Key Features

- Microwave Sensor - Detects movement within the unit's detection range, allowing load control in response to changes in occupancy.
- IR Receiver - Receives control and programming commands from an IR (infrared) handset.
- Light Level Sensor - An integral adjustable photocell allows the lights to be kept off if there is sufficient ambient light.
- Presence detection - When movement is detected the load will automatically turn on. When the area is no longer occupied the load will automatically switch off after an adjustable time period.
- Status LED.



### Achievable Energy Savings



### Code Compliance

- Improves BREEAM & LEED scoring for building sustainability.
- Contributes to energy reduction targets under Climate Change Levy (CCL) and Carbon Reduction Commitment (CRC).
- Qualifies for Enhanced Capital Allowance (ECA) applications.
- Delivers lighting control requirements under UK Building Regs - L2a & L2b and BRE: 498.

### Overview

MPD-W-EXT-230V is an IP66, wall mounted microwave presence detector and is designed to provide automatic control of lighting, heating or ventilation loads.

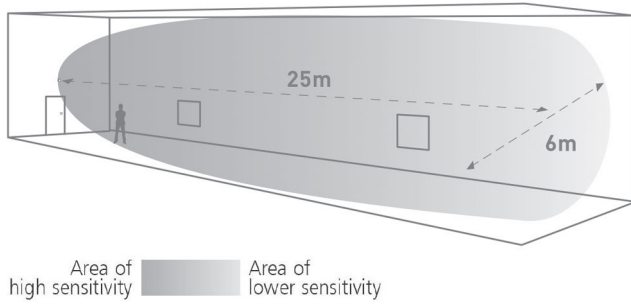
The MPD-W-EXT-230V detects movement using a highly sensitive microwave detector. This works by emitting low power microwave signals and measuring the reflections as the signals bounce off moving objects. The MPD-W-EXT-230V is optimised for wall mounting applications to give detection over long distances.

When movement is detected the load is turned on. When an area is no longer occupied the load will switch off after an adjustable time out period.

The internal light sensor provides additional energy saving in lighting applications. When an area is occupied lighting is only switched on when the level of natural light is below a preset level.

All functionality is fully programmable using an IR handset. (ordered separately).

## Detection



Ideal for exterior spaces, car parks, courtyards and entranceways.

Maximum recommended mounting height: 3m

## Technical Specifications

Weight: 0.25kg

Supply Voltage: 230VAC +/- 10%

Frequency: 50Hz

Power consumption: On - 1.15W Off - 790mW

Load: 10A of lighting and or ventilation including incandescent, fluorescent, compact fluorescent, low voltage (switch primary of transformer). Derate load for LED in line with LED lamp manufacturer's instructions.

Terminal Capacity: 2.5mm<sup>2</sup>

Time out period: Adjustable 10 seconds to 99 minutes.

Light level: Optional adjustment by using IR programming handsets.

Fixing method: Surface fixing by screws (not supplied).

Temperature: -10°C to 50°C

Humidity: 5 to 95% non-condensing

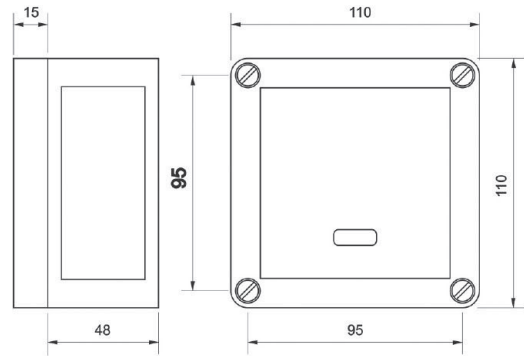
Material: (casing) Polystyrene Type Class 2

IP rating: IP 66

Compliance: EMC-2004/108/EC, LVD-2006/95/EC

Safety: The microwave radiation emitted by these units is extremely low power. At a distance of > 50mm the power density is <6% of the ANSI IEEE C95.1 – 1991 recommended microwave power density. At a distance of 5mm from the unit it is <84% of recommended power density.

## Dimensions



## Commissioning

Microwave on/off time and threshold light level can be set via the hand held IR remote for commissioning.

## Order Codes and Frequency Compatibility

MPD-W-EXT-230V (Then add suffix as follows)

Code	Region	Frequency
blank	UK, China, India, Middle East, Malaysia, Hong Kong, Singapore	10.687GHz
-R2	Australia and all of Europe except: UK, France, Portugal, Germany, Switzerland, Austria, Slovak Republic, Republic of Ireland	10.525GHz
-R3	France, Portugal, Switzerland	9.900GHz
-R4	Germany, Austria, Slovak Republic	9.350GHz
-R5	Republic of Ireland	10.41GHz

## Remote Control Programmers (ordered separately)

HHIR-PROG: Hand held IR programmer control.

HHIR-LCD-PROG: Advanced hand held IR programmer with LCD display.

## Contact Us

+44 (0)1923 495495

enquiries@iLight.co.uk

www.iLight.co.uk

### iLight

A brand of Signify  
Usk House, Llantarnam Park  
Cwmbran, NP44 3HD, UK

© 2022 Signify Holding  
All Rights Reserved

MPD-W-EXT-230V Rev9 1121

Changes to the products, to the information contained in this document, and to prices are reserved; so are errors and omissions.

iLight is a registered trademark.  
All other trademarks are property of their respective owners.



FM 727924