

# NS3-C

## Network Ceiling Sensor with Combined PIR, Daylight and IR Control

### Key Features

- Excellent sensitivity to small movements using Quad-Pyro technology
- Greater sensor stability with reduced noise susceptibility
- 360 degree detection area
- Ceiling flush mounted for a low profile, unobtrusive installation
- Compact 49mm diameter size ideal for suspended ceilings, chilled beam and In fill plate applications
- Connects directly to the iLight iCANnet Network
- Configuration stored in Non Volatile EEPROM
- Firmware storage in reflashable FLASH memory over iCAN network
- CE & UKCA compliant to all relevant standards
- Designed and manufactured to ISO9001 standard

### Overview

The NS3 multi sensor can be connected directly to the iLight iCANnet™ Network via CAN terminals. It features 3 functions: PIR motion detection, daylight measurement and an infra-red receiver. All three functions may be programmed within the iLight software according to specific user needs.

This sensor features a movement detection coverage of up to 8.5m diameter depending on installation height with PIR detection optimised for Slight Motion for superior performance.

The PIR feature may be set in absence or presence detection mode with variable programmable timing.

The daylight feature is used to maintain constant light level where controlled luminance (daylight linking) is required.

In operational mode the infrared receiver may select scenes, turn lighting on/off and adjust levels locally.



The NS3-C sensor's combined features ensure maximum energy savings as well as great flexibility for the user.



## Suitable For

Cellular office  
Open plan office  
School classroom  
Lecture theatre  
Retail complex  
Public library  
Sports hall  
Airport terminal  
Hospital wards  
Factory production area  
Corridor & staircases  
Foyer & atriums  
Plant room  
Storeroom  
Consulting room  
Meeting room

## Technical Information

Construction: Circular plastic housing  
UL94 V0 rated

Dimensions:  
Diameter front 49mm, rear 39mm Depth 30mm

Fixing: 2 x spring clips

Mounting Hole Diameter: 40 to 45mm Diameter depending on ceiling material

Weight: 35g

Temperature: 0 to 45°C (non condensing)

Supply: 9 - 24V dc (regulated)

Load data: 10mA @ 15V

Max recommended mounting height: 3.4m

## Operating Parameters

Connects directly to the iLight Network

Controls any luminaire anywhere on the System

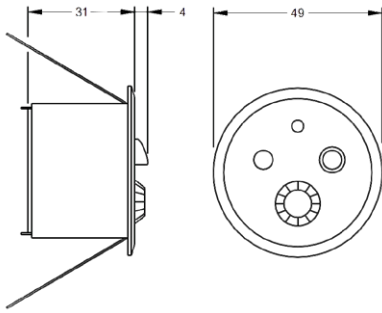
Presence and Absence functionality

Light Thresholds, Scenes and Time Outs programmed & adjusted at any time in software.

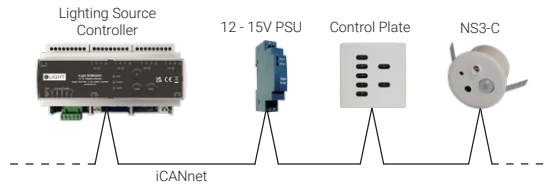
Built-in flexibility to suit individual user requirements

Max recommended mounting height: 3.4m

## Dimensions



## Typical Schematic

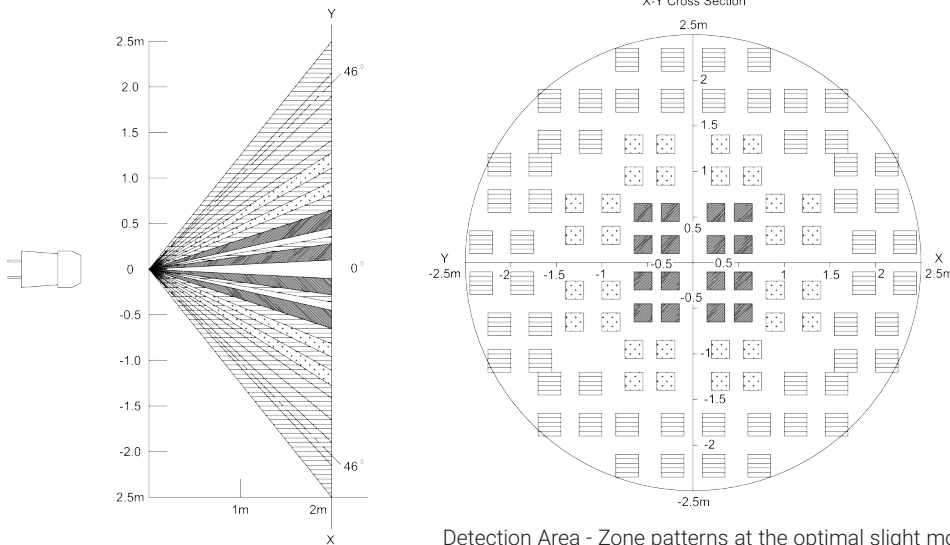


## Options



Surface mounting box - AX-SMA1  
(Order Separately)

## Detection



Detection Area - Zone patterns at the optimal slight motion detection distance of 2m from sensor

The differences in the detection zone patterns are indicative of the projections of the 26 lenses with single focal point and with three optical axis.

An object whose temperature differs from the background temperature and which crosses inside the detection zone will be detected.

Detection range is typically calculated at the working plane (900mm off the floor)

## Contact Us

+44 (0)1923 495495

enquiries@iLight.co.uk

www.iLight.co.uk

### iLight

A brand of Signify  
Usk House, Llantarnam Park  
Cwmbran, NP44 3HD, UK

Changes to the products, to the information contained in this document, and to prices are reserved; so are errors and omissions.

© 2022 Signify Holding  
All Rights Reserved

iLight is a registered trademark.  
All other trademarks are property of their respective owners.

NS3-C Rev7 1121



FM 727924