

# PPAD-C-230V

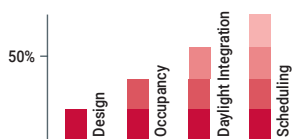
## Ceiling mounted PIR presence/absence detector

### Key Features

- PIR Sensor: Detects movement within the unit's detection range, allowing load control in response to changes in occupancy.
- Absence and override to on/off via switch input.
- IR Receiver: Receives control and programming commands from an IR (infrared) handset.
- Light Level Sensor: Measures the overall light level in the detection area.
- Switch input connector: Two input terminals can be used to manually override the lights on or off.
- Status LEDs.



### Achievable Energy Savings



### Code Compliance

- Improves BREEAM & LEED scoring for building sustainability.
- Contributes to energy reduction targets under Climate Change Levy (CCL) and Carbon Reduction Commitment (CRC).
- Qualifies for Enhanced Capital Allowance (ECA) applications.
- Delivers lighting control requirements under UK Building Regs - L2a & L2b and BRE: 498.

### Overview

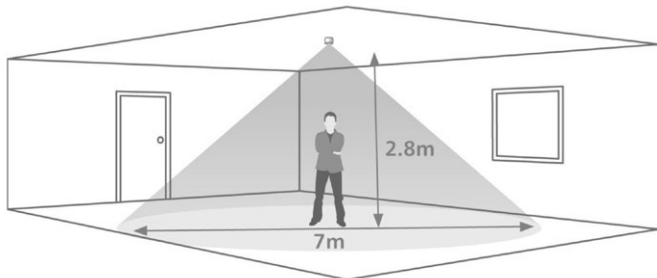
The PPAD-C-230V is a stand alone mains voltage powered, ceiling mounted PIR (passive infrared) presence/absence detector which provides automatic control of lighting loads with optional manual control.

The output channel comprises a mains voltage relay capable of simple on/off switching.

This unit can operate both in presence and absence mode as well as in response to ambient daylight levels.

All functionality is fully programmable using an IR handset (ordered separately).

## Detection



Area of high sensitivity    Area of lower sensitivity

Ideal for smaller offices, toilets and circulation areas.

Maximum recommended mounting height: 3m

## Technical Specifications

Weight: 0.15kg

Supply Voltage: 230VAC +/- 10%

Frequency: 50Hz

Maximum Load: 10A of lighting and/or ventilation including incandescent, fluorescent, compact fluorescent, low voltage (by switching the primary of transformer). Derate load for LED in line with the LED lamp manufacturers instructions.

Power consumption: On 875mW, Off 895mW

Terminal Capacity: 2.5mm<sup>2</sup>

Temperature -10°C to 35°C

Humidity: 5 to 95% non-condensing

Material (casing): Flame retardant ABS and PC/ABS

Type: Class 2

IP Rating: IP40

## Accessories

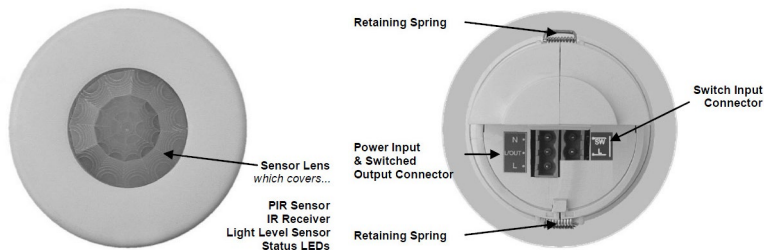
SB-C: Surface Mounting Box

SB-C-EX: Surface Mounting Box Extender

## Remote Control Programmers (ordered separately)

HHIR-PROG: Hand held IR programmer control.

HHIR-LCD-PROG: Advanced hand held IR programmer with LCD display.



## Sensor functionality

### Detection Mode

The Detection Mode can be set to behave in Presence or Absence mode:

- Presence: When movement is detected the sensor will automatically activate. When the area is no longer occupied the sensor will automatically de-activate after an adjustable time period.
- Absence: The sensor is manually activated. When the area is no longer occupied the sensor will automatically deactivate after the adjustable time period has elapsed.

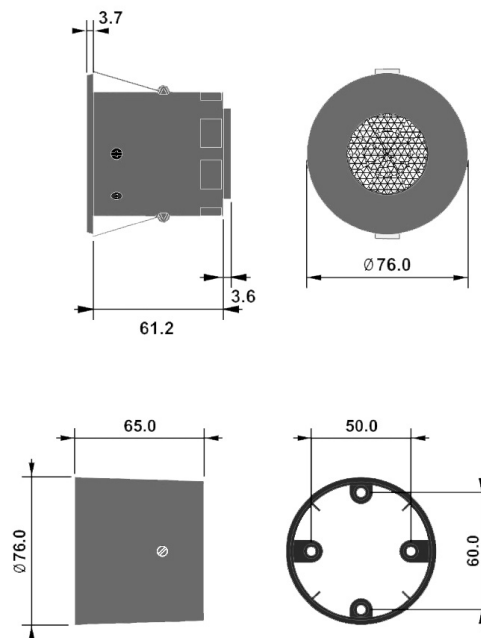
In either case, sensitivity to movement of the PIR sensor can be adjusted using the Sensitivity parameter.

HINT: To assist in setting the Sensitivity, turn on the Walk Test LED which will flash red when movement is detected.

### Switch Level On/Off

- Occupancy detection can be made dependent on the ambient light level using the Lux On Level and Lux Off Level parameters.

## Dimensions



## Contact Us

+44 (0)1923 495495

enquiries@iLight.co.uk

www.iLight.co.uk

**iLight**  
A brand of Signify  
Usk House, Llantarnam Park  
Cwmbran, NP44 3HD, UK

Changes to the products, to the information contained in this document, and to prices are reserved; so are errors and omissions.

© 2022 Signify Holding  
All Rights Reserved

iLight is a registered trademark.  
All other trademarks are property of their respective owners.

PPAD-C-230V Rev5 1121

UK  
CA

CE



FM 727924

