

NS3-C

Network Ceiling Sensor with Combined PIR, Daylight and IR Control

Key Features

- Excellent sensitivity to small movements using Quad-Pyro technology
- Greater sensor stability with reduced noise susceptibility
- 360 degree detection area
- Ceiling flush mounted for a low profile, unobtrusive installation
- Compact 49mm diameter size ideal for suspended ceilings, chilled beam and In fill plate applications
- Connects directly to the iLight iCANnet Network
- Configuration stored in Non Volatile EEPROM
- Firmware storage in reflashable FLASH memory over iCAN network
- CE compliant to all relevant standards
- Designed and manufactured to ISO9001:2015 standards

Overview

The NS3 multi sensor can be connected directly to the iLight iCANnet™ Network via CAN terminals. It features 3 functions: PIR motion detection, daylight measurement and an infra-red receiver. All three functions may be programmed within the iLight software according to specific user needs.

This sensor features a movement detection coverage of up to 8.5m diameter depending on installation height with PIR detection optimised for Slight Motion for superior performance.

The PIR feature may be set in absence or presence detection mode with variable programmable timing.

The daylight feature is used to maintain constant light level where controlled luminance (daylight linking) is required.

In operational mode the infrared receiver may select scenes, turn lighting on/off and adjust levels locally with the iLight remote controller (HH17IR).



The NS3-C sensor's combined features ensure maximum energy savings as well as great flexibility for the user.



Suitable For

- Cellular office
- Open plan office
- School classroom
- Lecture theatre
- Retail complex
- Public library
- Sports hall
- Airport terminal
- Hospital wards
- Factory production area
- Corridor & staircases
- Foyer & atriums
- Plant room
- Storeroom
- Consulting room
- Meeting room

Technical Information

Construction: Circular plastic housing
UL94 V0 rated

Dimensions:
Diameter front 49mm, rear 39mm Depth 30mm

Fixing: 2 x spring clips

Mounting Hole Diameter: 40 to 45mm Diameter depending on ceiling material

Weight: 35g

Temperature: 0 to 45°C (non condensing)

Supply: 9 - 24V dc (regulated)

Load data: 10m A @ 15V

Max recommended mounting height: 3.4m

Operating Parameters

Connects directly to the iLight Network

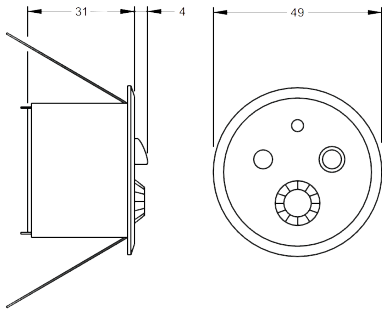
Controls any luminaire anywhere on the System

Presence and Absence functionality

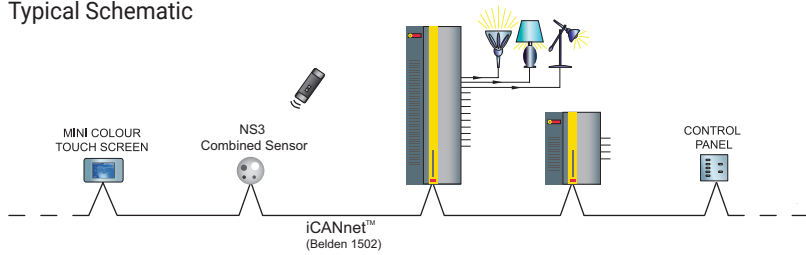
Light Thresholds, Scenes and Time Outs programmed & adjusted at any time in software.

Built-in flexibility to suit individual user requirements
Max recommended mounting height: 3.4m

Dimensions



Typical Schematic



Options

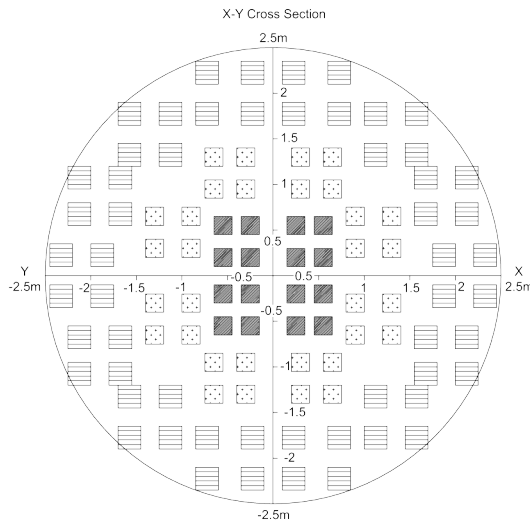
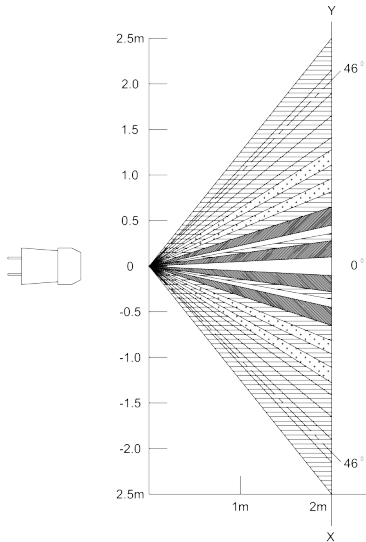


Remote Controller - HH171R
(Order Separately)



Surface mounting box - AX-SMA1
(Order Separately)

Detection



Detection Area - Zone patterns at the optimal slight motion detection distance of 2m from sensor

The differences in the detection zone patterns are indicative of the projections of the 26 lenses with single focal point and with three optical axis.

An object whose temperature differs from the background temperature and which crosses inside the detection zone will be detected.

Detection range is typically calculated at the working plane (900mm off the floor)

Contact Us

+44 (0)1923 495495

enquiries@iLight.co.uk

www.iLight.co.uk

Cooper Lighting Solutions
20 Greenhill Crescent,
Watford Business Park,
Watford, Herts, WD18 8JA. UK

Changes to the products, to the information contained in this document, and to prices are reserved; so are errors and omissions.

iLight is a registered trademark.

All other trademarks are property of their respective owners.

© 2020 Cooper Lighting Solutions
All Rights Reserved

NS3-C Rev6 0520