

NS3-C

Network Ceiling Sensor with Combined PIR, Daylight and IR Control

Key Features

- Connects directly to the iLight iCANnet Network
- Excellent sensitivity to small movements using Quad-Pyro technology
- Greater sensor stability with reduced noise susceptibility
- 360 degree detection area
- Ceiling flush mounted for a low profile, unobtrusive installation
- Compact 49mm diameter size ideal for suspended ceilings, chilled beam and In fill plate applications
- Configuration stored in Non Volatile EEPROM
- Firmware storage in reflashable FLASH memory over iCAN network
- CE & UKCA compliant to all relevant standards
- Designed and manufactured to ISO9001 standard

Overview

The NS3 multi sensor can be connected directly to the iLight iCANnet™ Network via CAN terminals. It features 3 functions: PIR motion detection, daylight measurement and an infra-red receiver. All three functions may be programmed within the iLight software according to specific user needs.

The PIR feature may be set in absence or presence detection mode with variable programmable timing.

The daylight feature is used to maintain constant light level where controlled luminance (daylight linking) is required.

In operational mode the infrared receiver may select scenes, turn lighting on/off and adjust levels locally.

The NS3-C sensor's combined features ensure maximum energy savings as well as great flexibility for the user.



Technical Information

Construction: Circular plastic housing
UL94 V0 rated

Dimensions:
Diameter front 49mm, rear 39mm Depth 30mm

Fixing: 2 x spring clips

Mounting Hole Diameter: 40 to 45mm Diameter
depending on ceiling material

Weight: 35g

Temperature: 0 to 45°C (non condensing)

Supply: 9 - 24V dc (regulated)

Load data: 10mA @ 15V

Operating Parameters

Connects directly to the iLight Network

Controls any luminaire anywhere on the System

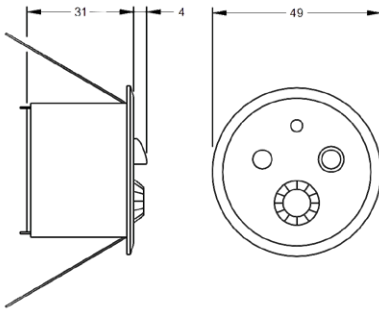
Presence and Absence functionality

Light Thresholds, Scenes and Time Outs programmed &
adjusted at any time in software.

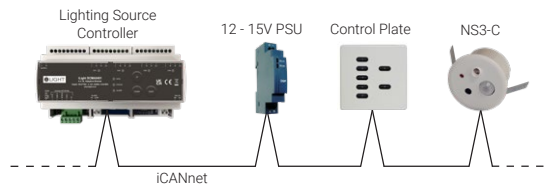
Built-in flexibility to suit individual user requirements

Max recommended mounting height: 3.4m

Dimensions



Typical Schematic

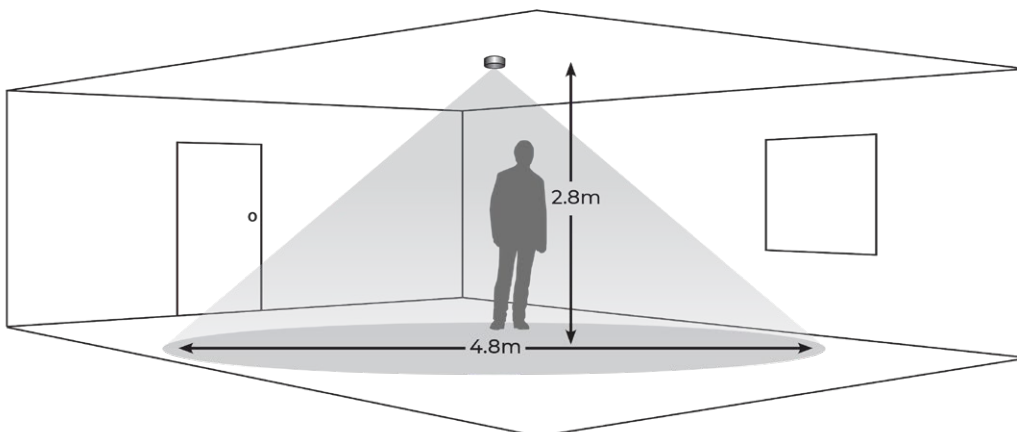


Options



Surface mounting box - AX-SMA1
(Order Separately)

Typical Detection



Contact Us

+44 (0)1923 495495

enquiries@iLight.co.uk

www.iLight.co.uk

iLight

A brand of Signify
Usk House, Llantarnam Park
Cwmbran, NP44 3HD, UK

© 2022 Signify Holding
All Rights Reserved

NS3-C Rev8 1022

Changes to the products, to the information contained in this
document, and to prices are reserved; so are errors and omissions.

iLight is a registered trademark.
All other trademarks are property of their respective owners.



FM 727924