

HVAC-1

DINrail mount HVAC Controller

Key Features

- Flexible fan, heating and cooling control
- Inbuilt underfloor heating control option
- Frost and High Temperature protection settings
- Wide range of input control options
- iCANnet network connection to iLight lighting and shading systems
- Backup & Restore capable
- System / Valve flush regimes as standard
- Master / Slave functionality
- BACnet MS/TP communications
- Bespoke options for individual projects



Overview

The HVAC-1 controller is ideal for individual room heating and cooling control. Each unit may be configured for the site application to control fan coil settings as well as underfloor heating. The unit is provided with a variety of analogue and digital inputs to support multiple sensors.

Being able to control both the underfloor and fan coil systems from the one controller can significantly reduce the cost of a project as separate systems are no longer required.

HVAC-1 also prevents both the heating and cooling systems from 'fighting' each other as the controller provides all the software interlocks to prevent the heating being initiated when the cooling is running and vice versa.

HVAC-1 seamlessly integrates with iLight's Lighting and Shading systems as well as integrating directly to BMS.

Technical Information

Supply: 24VAC/DC
 (Where AC outputs are used, supply power must also be AC)

Power Consumption: 5 VA (no TSG40) plus outputs. 8 VA with TSG40 touchscreen display

Triac outputs: 350mA max

0-10V outputs: 5mA max

Temperature Sensors: 10K3A1

Analogue Inputs: 0-10V (input impedance 10K)

Digital Inputs: Use Volt Free Contact/Switch

Relay outputs: Volt Free, suitable for up to 240V 5A load

Communications:

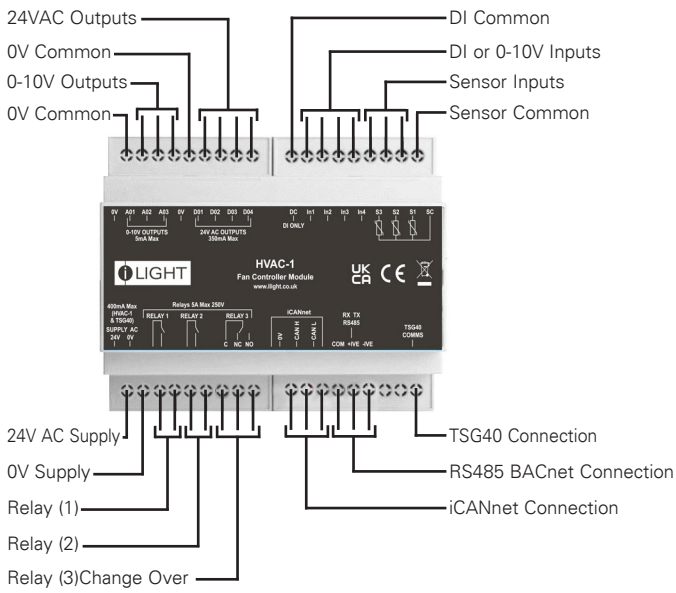
iCANnet for lighting and shading integration.

Native BACnet MS/TP for integrating with BMS.

Indication: Tx/Rx comm.'s

Enclosure: DIN Mounting (IP20)

Connections



Accessories

PSU-24AC-DIN - 24V PSU for HVAC-1

TSG40 - 4" LCD Colour Touchscreen

CORRIDOR PANEL - 4" LCD Colour Touchscreen Corridor Panel

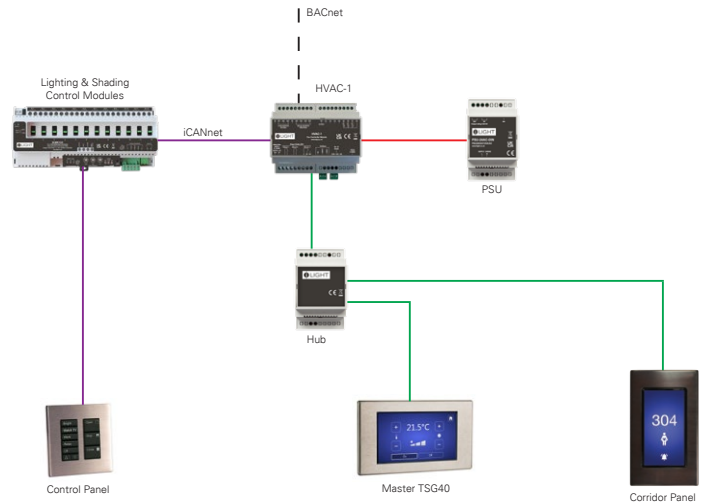
Button Temperature Sensor

Flush Mount Discrete Temperature Sensor

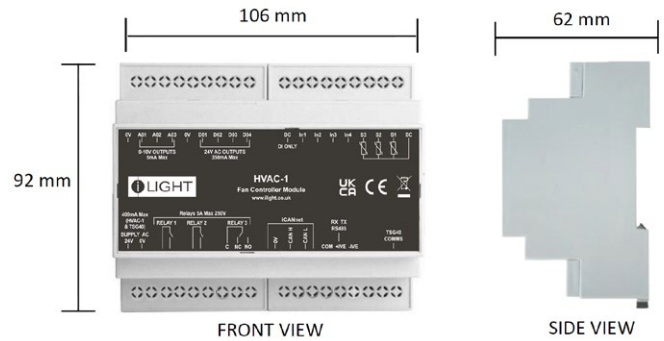
Flying Lead Temperature Sensor

FR-3 - 3 Stage Relay Control

System Connectivity



Dimensions



Contact Us

+44 (0)1923 495495

enquiries@iLight.co.uk

www.iLight.co.uk

iLight

A brand of Signify
 Usk House, Llantarnam Park
 Cwmbran, NP44 3HD, UK

Changes to the products, to the information contained in this document, and to prices are reserved; so are errors and omissions.

© 2022 Signify Holding
 All Rights Reserved

iLight is a registered trademark.
 All other trademarks are property of their respective owners.

HVAC-1 Rev10 1121



FM 727924