

UIS

Universal Interface - Sensors

Key Features

- 3 x connections for sensors to iCANnet™ network
- RJ12 type sockets for rapid sensor connection
- 3 independant daylight linking engines
- Presence or absence detection support
- Infra-red support for HH171R remote controller
- Supports Infra-red identification
- 16 Sequences, each with a maximum of 128 actions
- Configuration stored in Non Volatile EEPROM
- Firmware storage in reflashable FLASH memory over iCAN network
- Status LEDs
- CE & UKCA compliant to all relevant standards
- Designed and manufactured to ISO 9001 standard

Mechanical

Temperature Range: 0°C to +40°C
Humidity: 5 - 95% non condensing
Material: 2-part aluminum housing.
Mounting: 6 holes for screw mounting.

Electrical

Supply: 12VDC via the iCANnet™ network

Network termination: Screw terminals within two part connectors, able to accept 1.5mm² stranded or solid wire.

3 x RJ12 connections to AXCS01SRJ
Combined Sensor and others - Consult iLight for more information.

Overview

The UIS enables 3 separate sensor groups with 6 sensors in total to be connected to iLight's iCANnet™ lighting control network. (Max cable length for each group 30m). Each sensor can be either a single occupancy detector or daylight sensor or a combined PIR, Photocell with built in infra-red control.

Each UIS installed adds three independant daylight linking engines to the network making this unit ideal for maximising daylight harvesting across all areas.

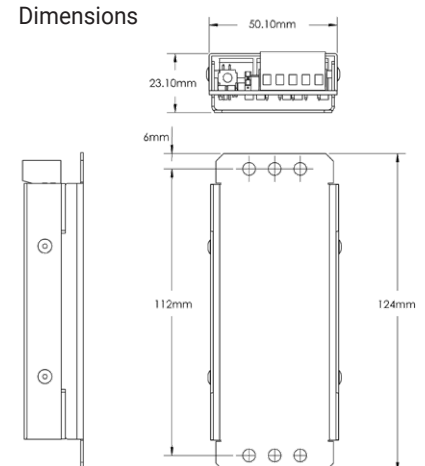
This small compact device can be deployed anywhere on the iCANnet™ network and uses RJ12 sockets and cables for rapid sensor installation.

Accessories:

- AXCS01SRJ - Low Voltage Multi Sensor.
- AXCA05RJ - 5m Cable RJ12 to RJ12 (LSOH)
- AX-FFRJ12 - RJ12 to RJ12 Female Coupler
- AX-2FIMRJ12 - 2 Female to 1 Male Doubler



Dimensions



Contact Us

+44 (0)1923 495495

enquiries@iLight.co.uk

www.iLight.co.uk

iLight

A brand of Signify
Usk House, Llantarnam Park
Cwmbran, NP44 3HD, UK

© 2022 Signify Holding
All Rights Reserved

UIS Rev7 1121

Changes to the products, to the information contained in this document, and to prices are reserved; so are errors and omissions.

iLight is a registered trademark.
All other trademarks are property of their respective owners.