

# EN1-3

Single Row Control Enclosure with 3 DIN module capacity.

## Key Features

- Single row un-populated control enclosure
- 3 DIN module capacity.
- Compatible for use with: SCD-96-D, BN-2-D, SI-2-D & PSU15 D (10 or 30W) DINrail modules
- Robust and lightweight
- All steel construction
- Pre-fitted DINrail & earth terminal bar
- Top and bottom knockouts
- CE & UKCA compliant to all relevant standards
- Designed and manufactured to ISO9001 standard

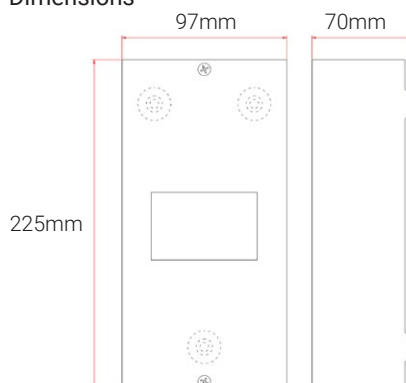
## Environmental Data

Temperature Range: 0°C to +50°C

Humidity: 5 - 95% non condensing

Rating: IP20

## Dimensions



## Overview

EN1-3 is a robust single row DINrail enclosure designed to accommodate any DINrail device up to 3 modules wide. It is compatible with the iLight SCD-96-D DMX Controller, BN-2-D Network Bridge, SI-2-D System Integrator & PSU15 D (10 or 30W) Network Power Supplies and provides a convenient and compact way to install a single device.

## Contact Us

+44 (0)1923 495495

[enquiries@iLight.co.uk](mailto:enquiries@iLight.co.uk)

[www.iLight.co.uk](http://www.iLight.co.uk)

**iLight**  
A brand of Signify  
Usk House, Llantarnam Park  
Cwmbran, NP44 3HD, UK

Changes to the products, to the information contained in this document, and to prices are reserved; so are errors and omissions.

iLight is a registered trademark.  
All other trademarks are property of their respective owners.

© 2022 Signify Holding  
All Rights Reserved

EN1-3 Rev1 0322

