



DALI Input Unit

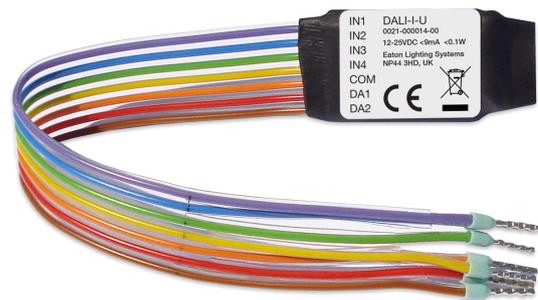
DALI input unit with 4 user inputs

Key Features

- Powered from DALI bus, compatible with standard DALI rating
- Up to four user inputs
- DALI consumption < 9 mA
- Suitable for inclusion into all standard size back boxes
- CE compliant to all relevant standards
- Designed and manufactured to ISO9001:2015 standards.

Cable colours

- Purple: Input 1
Blue: Input 2
Green: Input 3
Yellow: Input 4
Orange: COM
Red: DALI bus
Brown: DALI bus



Overview

The DALI Input Unit is a fully DALI-compatible interface, designed to allow customer specified switches, sensors, time clocks or other on/off control devices to be incorporated into a standard DALI installation. The DALI Input Unit is a small, pre-wired, encapsulated PCB module and it is suitable for inclusion into all standard size back boxes together with a suitable mains rated switch.

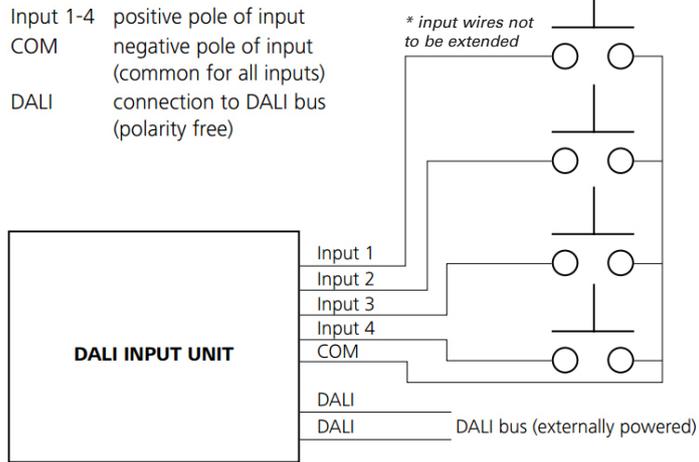
Function

DALI Input Unit detects short-circuit connection between wires Input 1-4 and COM. Module is designed to be used with standard push buttons – short-circuit connection is the active state.

DALI Input Unit is a DALI powered device therefore external DALI power supply has to be connected on the DALI line.

Note: The push buttons used as input devices for DALI Input Unit must have mains rating (DALI bus provides basic insulation only).

Wiring Diagram



Technical Information

Connections

Mains cable: Wires AWG 24 (0.5mm²)
 DALI cable: Wires AWG 24 (0.5mm²)

Power

DALI voltage: 12-25VDC
 DALI consumption: <9mA

Control Inputs

Voltage range: Open 5VDC / closed max. 0.3VDC
 Current range: Max. 1mA

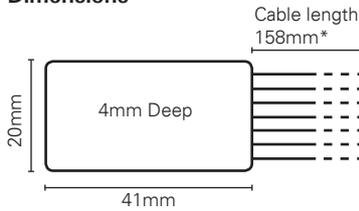
Mechanical data

Housing: Encapsulated PCB
 Weight: 10g

Operating conditions

Ambient temp. range: 0°C - +40°C
 Relative humidity: 85% (non-condensing)
 Storage temp. range: -40°C - +70°C

Dimensions



*Do not extend cables

Contact your local Eaton office

T: +44 (0)1923 495495 F: +44 (0)1923 228796
 E: enquiries@iLight.co.uk www.iLight.co.uk

Eaton Lighting Systems
 20 Greenhill Crescent,
 Watford Business Park,
 Watford, Herts, WD18 8JA. UK
 eatonlightingsystems.com

© 2018 Eaton
 All Rights Reserved

DALI Input Unit Rev3 0318

Changes to the products, to the information contained in this document, and to prices are reserved; so are errors and omissions.

Eaton is a registered trademark.

All other trademarks are property of their respective owners.

EATON

Powering Business Worldwide

