

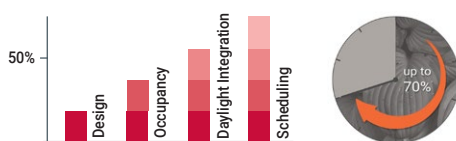
MPAD-C-A-230V

Ceiling mounted stand alone microwave presence/absence detector

Key Features

- Microwave Sensor - Detects movement within the unit's detection range, allowing load control in response to changes in occupancy
- IR Receiver - Receives control and programming commands from an IR (infrared) handset
- Light Level Sensor - Measures the overall light level in the detection area
- Switch input connector: Two input terminals can be used to manually override the lights on or off
- Status LEDs

Achievable Energy Savings



Code Compliance

- Improves BREEAM & LEED scoring for building sustainability
- Contributes to energy reduction targets under Climate Change Levy (CCL) and Carbon Reduction Commitment (CRC)
- Qualifies for Enhanced Capital Allowance (ECA) applications
- Delivers lighting control requirements under UK Building Regs - L2a & L2b and BRE: 498

Overview

The MPAD-C-A-230V is a stand alone, ceiling mounted microwave presence/absence detector which provides automatic control of mains voltage lighting loads with optional manual control.

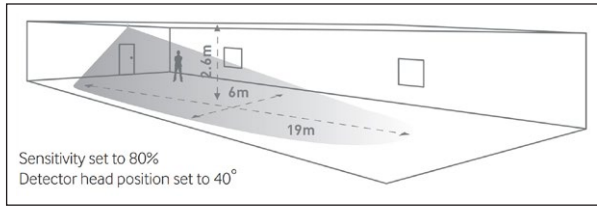
The MPAD-C-A-230V detects movement using a highly sensitive microwave detector. This works by emitting low power microwave signals and measuring the reflections as the signals bounce off moving objects.

This unit can operate both in presence and absence mode as well as in response to ambient daylight levels.

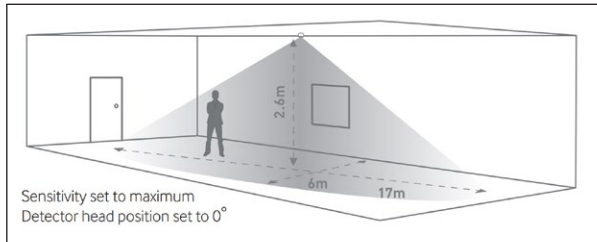
The MPAD-C-A-230V has a unique adjustable sensor head that allows the area of detection to be optimised for the application.

All functionality is fully programmable using an IR handset (ordered separately).

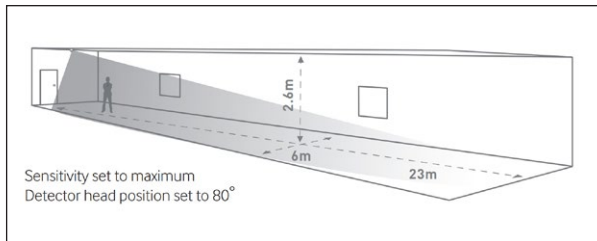
Detection



Ideal for large office or classroom



Ideal for open plan areas and offices



Ideal for corridor or aisle applications.

Maximum recommended mounting height: 3m

Note. If the range is compromised by the ceiling construction / material, an optional 20mm spacer ring can be used.

Technical Specifications

Weight: 0.15kg

Supply Voltage: 230VAC +/- 10%

Frequency: 50Hz

Maximum Load: 10A of lighting and/or ventilation including incandescent, fluorescent, compact fluorescent, low voltage (by switching the primary of transformer). Derate load for LED in line with LED lamp manufacturer's instructions.

Power consumption: On 1500mW, Off 910mW

Terminal Capacity: 2.5mm²

Temperature: -10°C to 50°C

Humidity: 5 to 95% non-condensing

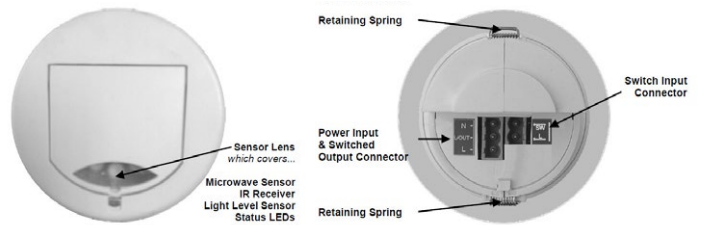
Material: (casing) Flame retardant ABS and PC/ABS

Rated impulse voltage, 4000V

Safety: The microwave radiation emitted by these units is extremely low power and complies with ANSI standard "IEEE C95.1-1999 Standard for Safety Levels with Respect to Human Exposure to Radio Frequency Electromagnetic Fields 3kHz 300GHz."

IP rating: IP40

Compliance: RED-2014/53/EU
EMC-2014/30/EU
LVD-2014/35/EU
2017 SI No 1206
2016 SI No 1091
2016 SI No 1101



Sensor functionality

Detection Mode

The Detection Mode can be set to behave in Presence or Absence mode:

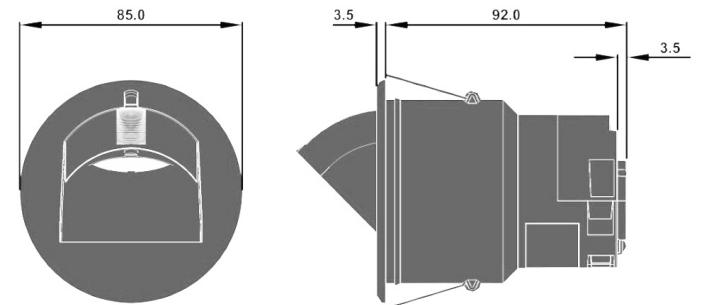
- Presence: When movement is detected the load will automatically turn on. When the area is no longer occupied the load will automatically switch off after an adjustable time period.
- Absence: The load is manually switched on. When the area is no longer occupied the load will automatically switch off after the adjustable time period has elapsed.

In either case, sensitivity to movement of the Microwave sensor can be adjusted using the Sensitivity parameter.

Switch Level On/Off

- Occupancy detection can be made dependant on the ambient light level using the Lux On Level and Lux Off Level parameters.

Dimensions



Order Codes and Frequency Compatibility

MPAD-C-A-230V (Then add suffix as follows)

Code	Region	Frequency
blank	UK, China, India, Middle East, Malaysia, Hong Kong, Singapore	10.687GHz
-R2	Australia and all of Europe except: UK, France, Portugal, Germany, Switzerland, Austria, Slovak Republic, Republic of Ireland	10.525GHz
-R3	France, Portugal, Switzerland	9.900GHz
-R4	Germany, Austria, Slovak Republic	9.350GHz
-R5	Republic of Ireland	10.41GHz

Accessories

SB-C-A: Surface Mounting Box

SB-C-A-EX: Surface Mounting Box Extender

Remote Control Programmers (ordered separately)

HHIR-PROG: Hand held IR programmer control

HHIR-LCD-PROG: Advanced IR programmer with LCD display

Contact Us

enquiries@iLight.co.uk

www.iLight.co.uk

iLight

A brand of Signify
Usk House, Llantarnam Park
Cwmbran, NP44 3HD, UK

Changes to the products, to the information contained in this document, and to prices are reserved; so are errors and omissions.

iLight is a registered trademark.
All other trademarks are property of their respective owners.

© 2024 Signify Holding
All Rights Reserved

MPAD-C-A-230V Rev8 0124



FM 727924