



Ineo

Ineo Control Panel Range

Key Features

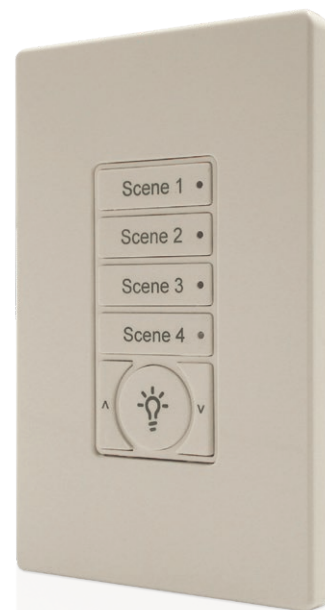
- Available in Black, White & Ivory finishes
- Standard or custom engraving on buttons
- IR enabled
- Configuration stored in Non Volatile EEPROM
- Firmware storage in reflashable FLASH memory over iCAN network
- Configurable start up mode
- CE & UKCA compliant to all relevant standards
- Designed and manufactured to ISO9001 standard

Overview

Ineo is a versatile range of specification grade control panels that set new standards in intuitive layout and operation. Users are quickly drawn to the large on/off button controls with associated up/down adjustments. Panels may be ordered with engraved buttons and with a choice of 10 panel configurations. There is even a choice of button size and colour.

Ineo control panels can be ganged together to meet specific project needs. Individual buttons have backlight indicator lights and strong tactile feedback.

Ineo is the clean, elegant, and simple way to control lighting on your project.



2 Small buttons



4 Small buttons



6 Small buttons



1 Large button



2 Large buttons



3 Large buttons



1 Large button
Raise & Lower
On / Off



2 Small buttons
On / Off
Raise & Lower



2 Large button
Raise & Lower
On / Off



4 Small buttons
On / Off
Raise & Lower

Button Functions

- Scene selection
- Scene raise/lower
- Channel raise/lower
- Toggle on/off
- Toggle raise/lower
- True off
- Open/close (for curtains or blinds)
- Raise/lower (for motorized screens)
- Task (start/stop a sequence)

Mechanical Data

- Buttons include scene, raise, lower, on, off functionality.
- Choice of large or small button caps
- Standard or custom engraving on buttons
- Tap on/off feature to override fade time
- All plastic construction with a separate snap-on surround
- Requires NEMA (US Style) backbox
- 3"h x 2"w x 2.5"d

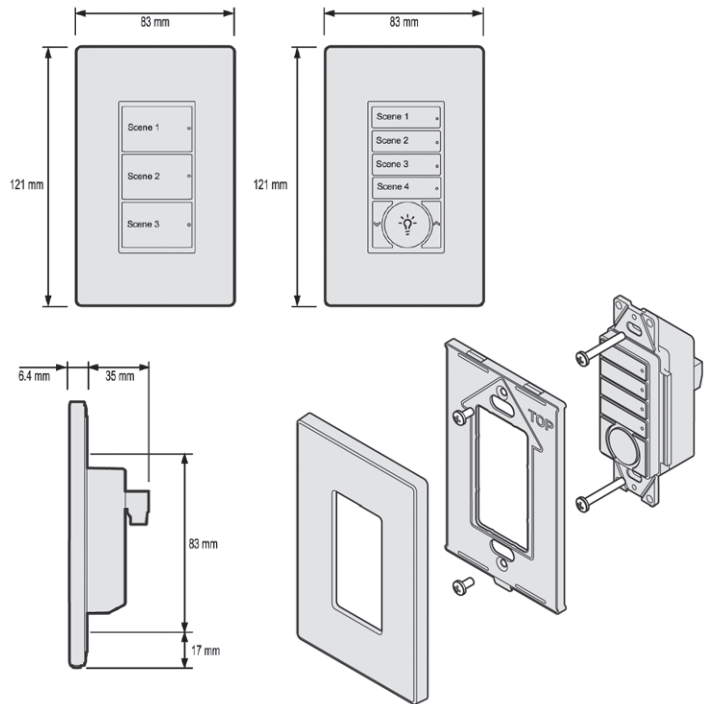
Electrical Data

- 10 panel variants selectable via Source Controller
- Each button individually configurable via iCANsoft
- Variable fade times programmable from 0.1seconds to 60 minutes per button
- Built-in infrared receiver with learnable remote codes
- 12Vdc powered direct from iCANnet™ network
- Tested to withstand 12kV electro-static discharge without damage or memory loss
- Flash memory for future proof upgradeability

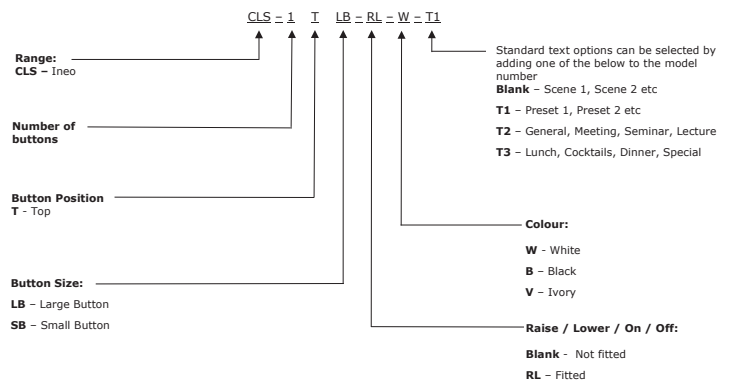
Environmental Data

- Temperature Range: 0°C to +40°C
- Humidity: 0% - 95% non condensing

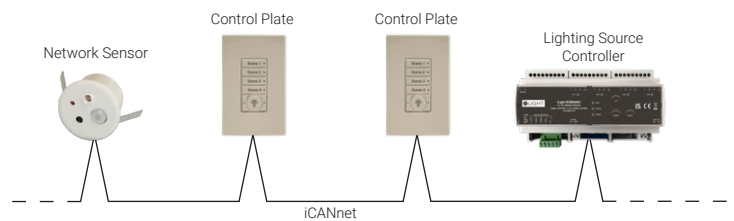
Dimensions



Ordering Codes



Typical Schematic



Contact Us

+44 (0)1923 495495

enquiries@iLight.co.uk

www.iLight.co.uk

iLight
 A brand of Signify
 Usk House, Llantarnam Park
 Cwmbran, NP44 3HD, UK

Changes to the products, to the information contained in this document, and to prices are reserved; so are errors and omissions.

© 2022 Signify Holding
All Rights Reserved

iLight is a registered trademark.
All other trademarks are property of their respective owners.

INEO Rev12b 1021



FM 727924