

Installation Guide

SI-2-D System Integrator



Cooper Lighting Solutions

UK
Usk House, Lakeside, Llantarnam Park,
Cwmbran, NP44 3HD, UK
t: +44 (0)1923 495495
e: info@cooperlighting.co.uk
www.cooperlighting.co.uk

US
1121 Highway 74 South
Peachtree City, GA 30269
www.cooperlighting.com
P: 1-800-553-3879

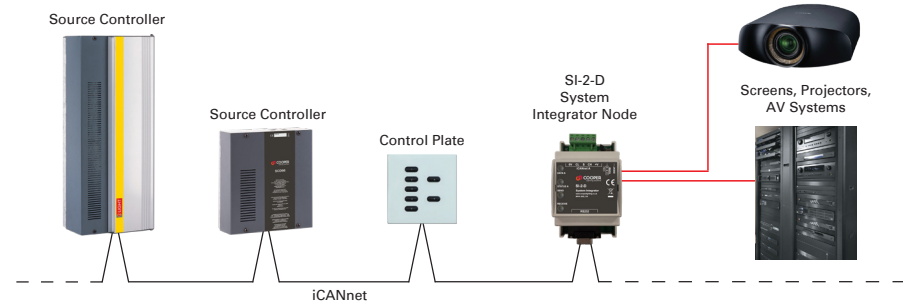
Canada
5925 McLaughlin Road
Mississauga, Ontario L5R 1B8
P: 905-501-3000
F: 905-501-3172

E&OE. Cooper Lighting Solutions
reserve the right to make changes to
the equipment without prior notice.
© Cooper Lighting Solutions

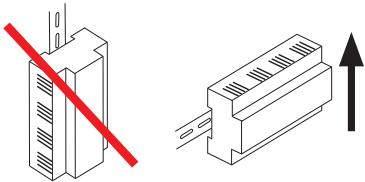
Doc No: 9850-000757-01



Typical Schematic



Mounting & Installation

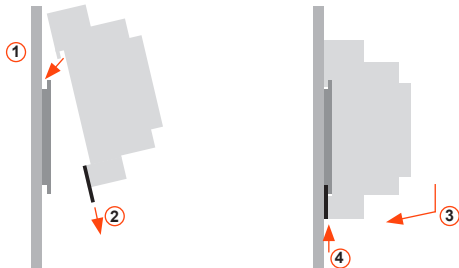


SI-2-D must be mounted in a suitable enclosure to provide regulatory protection from electric shock hazard as well as protecting the iCANnet data network from tampering that could lead to reduced network security.

Ensure selected enclosure provides adequate cooling ventilation.

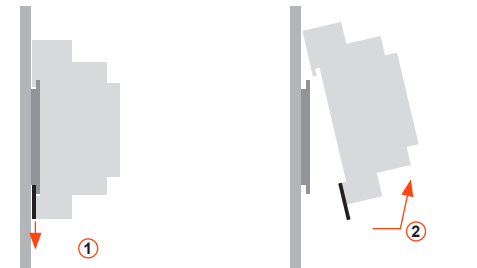
Fixing to DIN rail

1. Fix top clips over DIN rail.
2. Pull down bottom clip using screwdriver.
3. Close module towards DIN rail.
4. Push up bottom clip to fix securely to DIN rail.



Removing from DIN rail

1. Pull down bottom clip with screwdriver.
2. Lift module away from DIN rail.



Technical Data

Electrical Data

Supply: 15VDC (12-18V) via iCANnet™
iCANnet™ inputs/output: Screw terminals

Mechanical Data

Weight: 0.1 kg (0.22lb)
Operating temperature: 0°C to +50°C
Max storage temperature: +60°C
Humidity: +5 to 95% non-condensing
Environmental protection: IP20
Installation: Installation must be carried out by a suitably qualified electrician and installed in a suitable DINrail enclosure rated for the intended environment.

SI-2-D

System Integrator

Device LEDs and Buttons

At iCANnet end

Data A LED

Red flashing: Traffic being sent and/or received
Red on: iCAN network comms error

Status A LED

Green flashing: Normal operation

At the RS232 end

Send LED

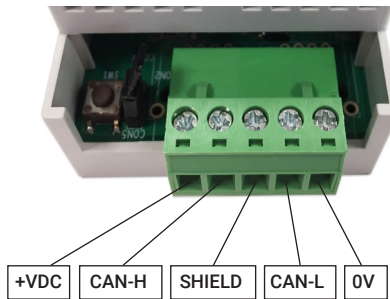
Green flashing: RS232 data received

Receive LED

Red flashing: RS232 data sent

iCAN network wiring

Cable connections to the iCAN network are made to a removable 5-way connector block located at one end of the SI-2-D unit:



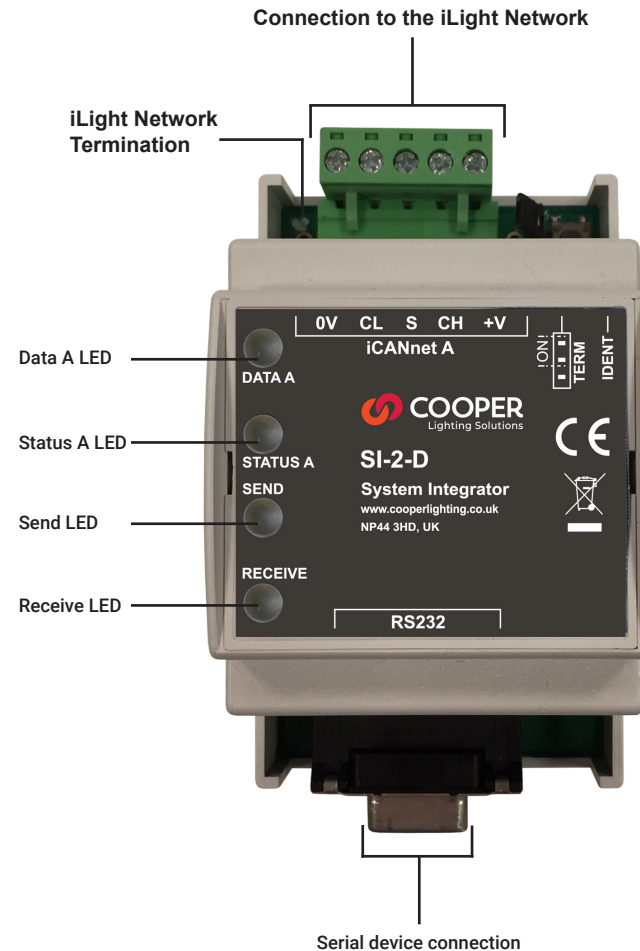
| Function | iCANnet Cable Colours |
|----------|-----------------------|
| 0V | Black |
| CAN L | Blue |
| Shield | Silver |
| CAN H | White |
| +VDC | Red |

Maximum segment distance: 500m (1640 ft)
Devices per segment: 100 (without bridge or repeater)
Additional power supplies may be required.
Consult iLight for information on alternative cable types.

Network Power Requirements

Nominal operating voltage: 15V (12-18V)
Nominal operating current: 30mA

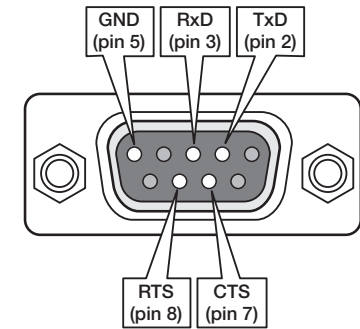
Typical Connection Diagram



IMPORTANT NOTE: Connecting a mains potential cable to the iCAN Network terminals is likely to damage the unit and other devices connected, and invalidate warranty.

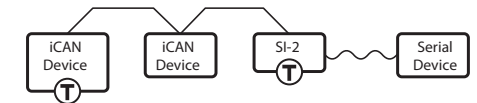
Serial device connection

The SI-2-D provides an RS232 link via a standard 9-pin D-type female connector. The SI-2-D uses five pins of the D-type connector as shown below:



Network termination

The iCAN network follows a daisy chain topology that requires termination on the devices located at either end of the network.



The SI-2-D unit is supplied with termination disabled as standard. If it is connected as an end device in the iCAN network, you need to move the jumper to enable termination.

The connection of the serial data cable to the device is treated separately and has no impact on whether or not the SI-2-D should be terminated on the iCAN network side.

To enable SI-2-D termination, move the jumper outwards from the inner two pins to the outer two pins:

