

# MPD-C-EXT-12-24V

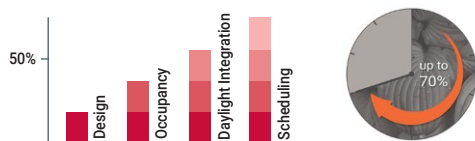
## Weather Proof Microwave Presence Detector - ceiling mounted

### Key Features

- For connection to iCAN networks via UIM, UIG-2, UIS or DALI-U devices.
- Microwave Sensor - Detects movement within the unit's detection range, allowing load control in response to changes in occupancy.
- Light Level Sensor - An integral adjustable photocell allows the lights to be kept off if there is sufficient ambient light.
- Presence detection - When movement is detected the load will automatically turn on. When the area is no longer occupied the load will automatically switch off after an adjustable time period (Set in iCANsoft).



### Achievable Energy Savings



### Code Compliance

- Improves BREEAM & LEED scoring for building sustainability.
- Contributes to energy reduction targets under Climate Change Levy (CCL) and Carbon Reduction Commitment (CRC).
- Qualifies for Enhanced Capital Allowance (ECA) applications.
- Delivers lighting control requirements under UK Building Regs - L2a & L2b and BRE: 498.

### Overview

MPD-C-EXT-12-24V is an IP66 rated ceiling mounted low voltage powered microwave presence detector and is designed to provide automatic control of lighting, heating or ventilation loads when connected to the iCAN network\*.

The MPD-C-EXT-12-24V detects movement using a highly sensitive microwave detector. This works by emitting low power microwave signals and measuring the reflections as the signals bounce off moving objects.

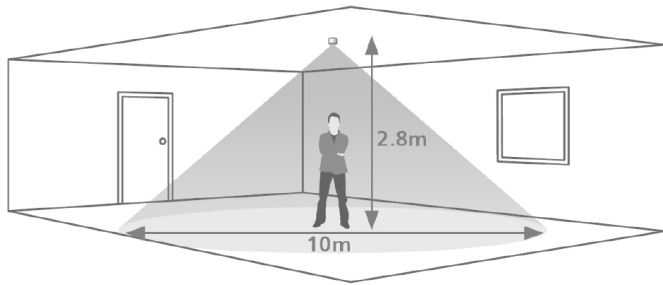
The MPD-C-EXT-12-24V is optimised for ceiling mounting applications to give detection over wide areas.

The internal light sensor provides additional energy saving in lighting applications. When an area is occupied lighting is only switched on when the level of natural light is below a preset level.

System time out periods are adjusted in iCANsoft.

The MPD-W-EXT-12-24V may be powered from the iCAN network supply.

## Detection



Area of high sensitivity  Area of lower sensitivity 

Ideal for larger areas where an IP rating is required.

Maximum recommended mounting height: 3m

## Technical Specifications

Weight: 0.25kg

Supply Voltage: Min 11.5VDC max 36VDC, min 10VAC max 26.5VAC

Power consumption: On 1.01W Off - 712mW (Additional power supply may be required depending on total network load).

Terminal Capacity: 2.5mm<sup>2</sup>

Timeout period: Adjustable 10 seconds to 99 minutes using IR programmer.

Light level & microwave sensitivity: Adjustable on the sensor using IR programmer.

Fixing method: Surface fixing by screws (not supplied).

Temperature: -10°C to 50°C

Humidity: 5 to 95% non-condensing

Material: (casing) Polystyrene Type Class 2

IP rating: IP 66

Compliance: EMC-2004/108/EC, LVD-2006/95/EC

Safety: The microwave radiation emitted by these units is extremely low power. At a distance of > 50mm the power density is <6% of the ANSI IEEE C95.1 – 1991 recommended microwave power density. At a distance of 5mm from the unit it is <84% of recommended power density.

## Accessories

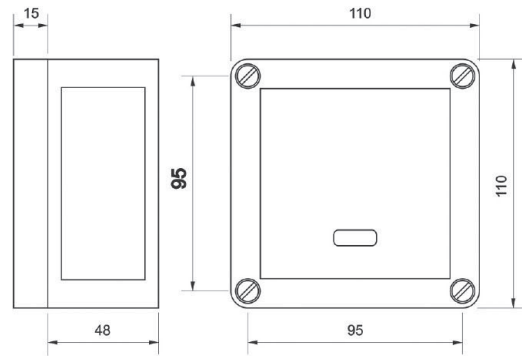
PSU15-DIN-C: 15V Power Supply

## Remote Control Programmers (ordered separately)

HHIR-PROG: Hand held IR programmer for setting sensor timeout, daylight threshold and microwave sensitivity only.

HHIR-LCD-PROG: Advanced hand held IR programmer with LCD display for reading and setting sensor timeout, daylight threshold and microwave sensitivity only.

## Dimensions



## Installation

### Choosing a Suitable Location

- The detector should be sited so that the occupants of the space fall inside the detection pattern).
- Avoid positioning the unit where direct sunlight may enter the sensor element.
- Do not site the sensor within 1m of any lighting, forced air heating or ventilation.
- Do not fix the sensor to an unstable or vibrating surface.
- Avoid metallic objects directly in front of the sensor head.

## Commissioning

\*This sensor is intended for use with UIS, UIG-2, UIM and DALI-I-U devices on iCAN networks. Additional network commissioning will be required.

## Order Codes and Frequency Compatibility

MPD-C-EXT-12-24V (Then add suffix as follows)

| Code  | Region  | Frequency |
|-------|---|-----------|
| blank | UK, China, India, Middle East, Malaysia, Hong Kong, Singapore   | 10.687GHz |
| -R2   | Australia and all of Europe except: UK, France, Portugal, Germany, Switzerland, Austria, Slovak Republic, Republic of Ireland | 10.525GHz |
| -R3   | France, Portugal, Switzerland   | 9.900GHz  |
| -R4   | Germany, Austria, Slovak Republic   | 9.350GHz  |
| -R5   | Republic of Ireland   | 10.41GHz  |

## Contact Us

+44 (0)1923 495495

enquiries@iLight.co.uk

www.iLight.co.uk

### iLight

A brand of Signify  
Usk House, Llantarmam Park  
Cwmbran, NP44 3HD, UK

Changes to the products, to the information contained in this document, and to prices are reserved; so are errors and omissions.

© 2021 Signify Holding  
All Rights Reserved

iLight is a registered trademark.  
All other trademarks are property of their respective owners.

MPD-C-EXT-12-24V Rev7 1121



FM 727924