

CR1-RJ

Panel iCANnet Interface - DINrail Mount

Key Features

- iCANnet™ panel interface
- Includes iCANnet programming point (RJ12)
- CE compliant to all relevant standards
- Designed and manufactured to ISO9001:2015 standards

Environmental Data

Temperature Range: 0°C to +50°C
Humidity: 5 - 95% non condensing
Rating: IP20

Electrical Data

Supply: 15Vdc via iCANnet @60mA

iCANnet termination: Screw terminals within two part connectors, able to accept 1.5mm² stranded or solid wire.

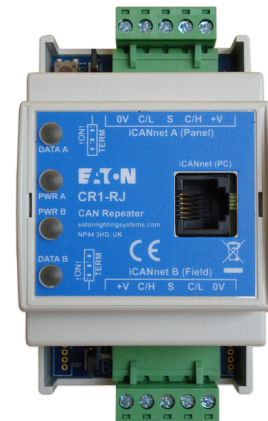
This product does not provide galvanic isolation between the A and B sides. If galvanic isolation is required, use iLight BN2

Overview

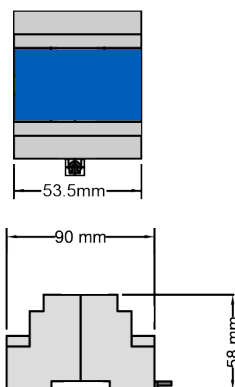
CR1-RJ is designed to simplify the connection of large panel enclosures to the iLight network. It enables a panel enclosure to sit on the network, but be internally terminated.

CR1-RJ also incorporates a programming port that can Isolate the panel for programming, without affecting the rest of the network.

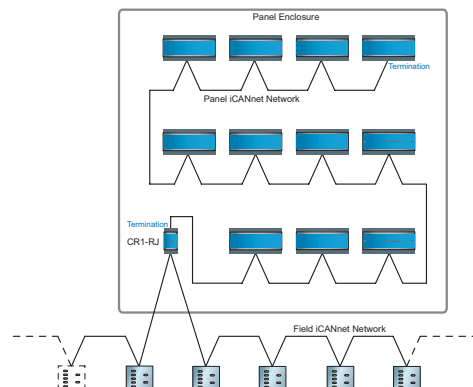
For network backbone system design and extending networks outside of a panel enclosure use iLight BN-2-D



Dimensions



Network Schematic



Contact your local Eaton office

T: +44 (0)1923 495495 F: +44 (0)1923 228796
E: enquiries@iLight.co.uk www.iLight.co.uk

Eaton Lighting Systems
20 Greenhill Crescent,
Watford Business Park,
Watford, Herts, WD18 8JA. UK
eatonlightingsystems.com

© 2019 Eaton
All Rights Reserved
Document No: CR1-RJ Rev5 1119

Changes to the products, to the information contained in this document, and to prices are reserved; so are errors and omissions.

Eaton is a registered trademark.
All other trademarks are property of their respective owners.



FM 664349

