

# Installation Guide

## Cooper Lighting Solutions

**UK**  
 Usk House, Lakeside, Llantarnam Park,  
 Cwmbran, NP44 3HD, UK  
 t: +44 (0)1923 495495  
 e: info@cooperlighting.co.uk  
 www.cooperlighting.co.uk

**US**  
 1121 Highway 74 South  
 Peachtree City, GA 30269  
 www.cooperlighting.com  
 P: 1-800-553-3879

**Canada**  
 5925 McLaughlin Road  
 Mississauga, Ontario L5R 1B8  
 P: 905-501-3000  
 F: 905-501-3172

E&OE. Cooper Lighting Solutions  
 reserve the right to make changes to  
 the equipment without prior notice.  
 © Cooper Lighting Solutions

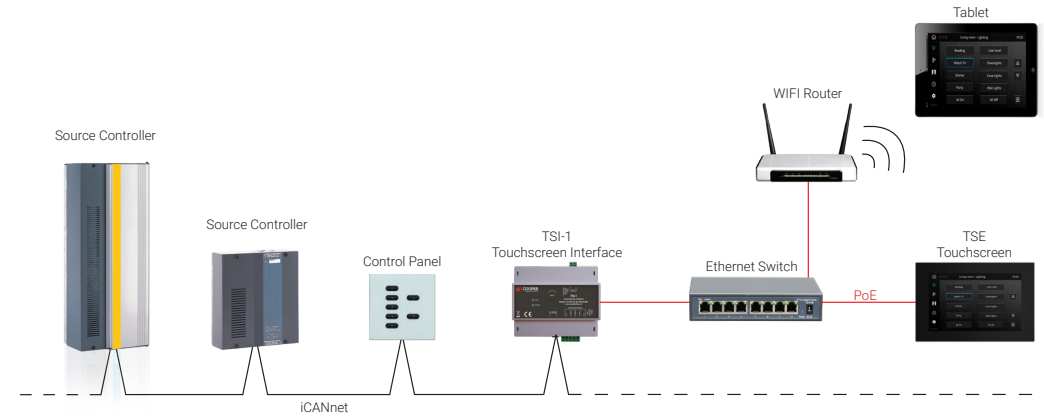
Doc No: 9850-000784-00



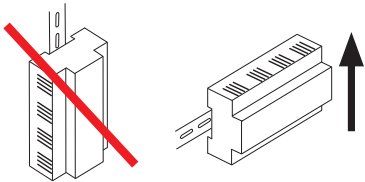
## TSI-1 TSE Touchscreen Interface



## Typical Schematic



## Mounting & Installation

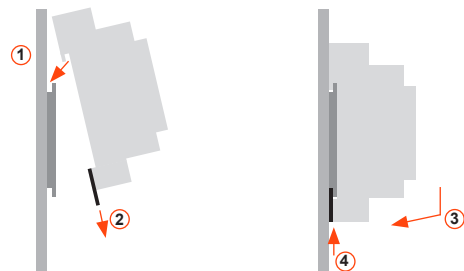


**TSI-1 must be mounted in a suitable enclosure to provide regulatory protection from electric shock hazard as well as protecting the iCANnet data network from tampering that could lead to reduced network security.**

**Ensure selected enclosure provides adequate cooling ventilation.**

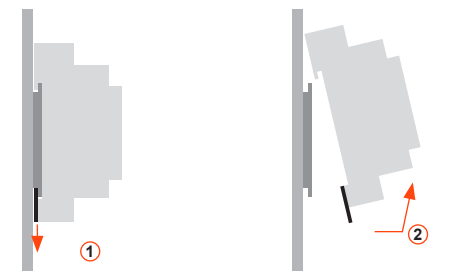
### Fixing to DIN rail

1. Fix top clips over DIN rail.
2. Pull down bottom clip using screwdriver.
3. Close module towards DIN rail.
4. Push up bottom clip to fix securely to DIN rail.



### Removing from DIN rail

1. Pull down bottom clip with screwdriver.
2. Lift module away from DIN rail.



## Technical Data

### Electrical & Mechanical

Control: Via iCAN connection  
 Supply: +10 - 24V DC @ 750 mA Max (via external power supply)  
 Terminal Size: iCANnet cable size: 5 x 1mm<sup>2</sup>. Power cable size: 2 x 1mm<sup>2</sup>  
 Protection: Provided by installer  
 Recommended Cable: iCANnet Network Cable  
 Ambient temperature: 2°C – 50°C  
 Relative humidity: 5% - 95% max, non-condensing  
 IP rating: IP20  
 Installation: Installation must be carried out by a suitably qualified electrician and installed in a suitable DINrail enclosure.  
 Dimensions: 106mm (w) x 91mm (h) x 62mm (d)  
 Weight: 0.22kg

### Software

For programming TSI-1, Device Editor and TSE Designer software are required. Please consult your Cooper Lighting Solutions representative for latest versions.

# TSI-1

TSE Touchscreen Interface

## Typical Connection Diagram

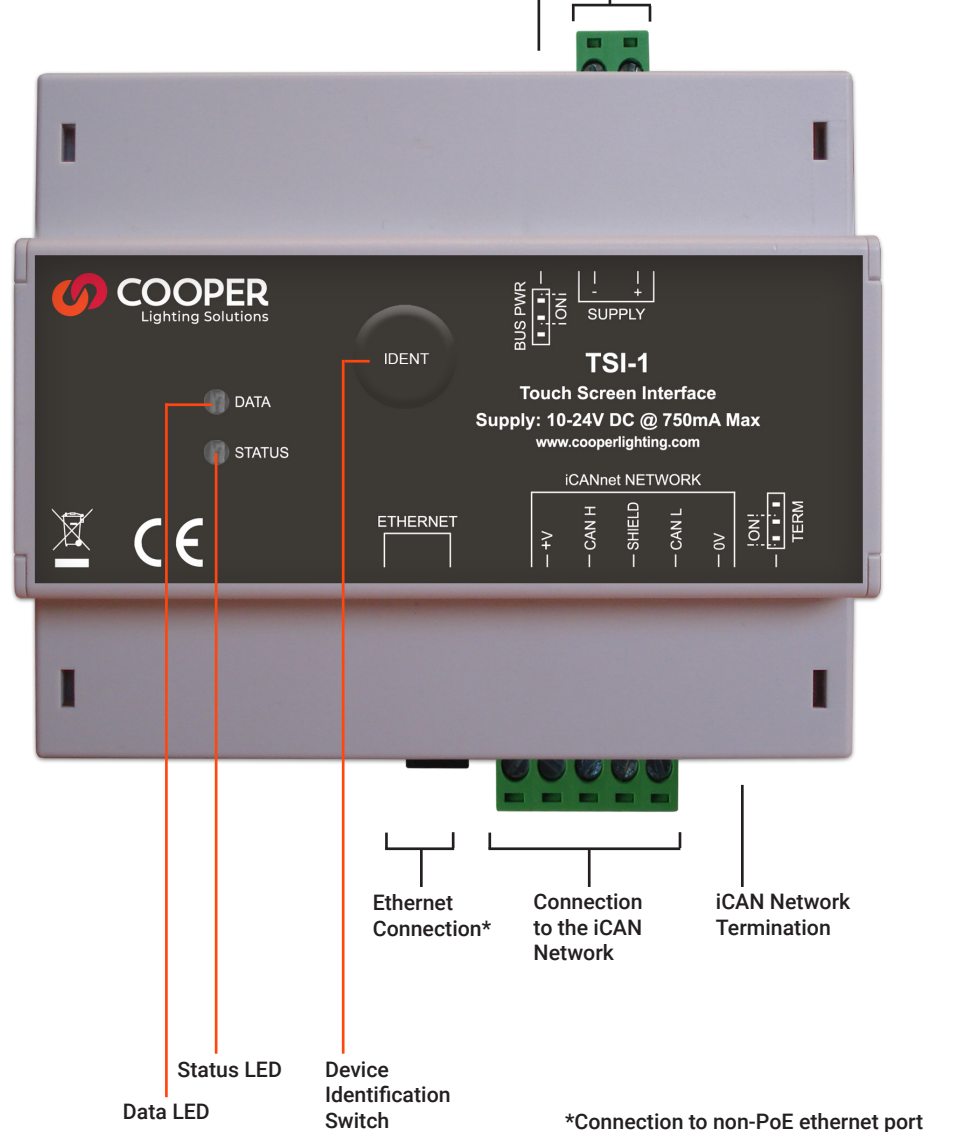
### Power Supply Jumper

Enables iCAN Network BUS power when in the 'ON' position. Disables iCAN Network BUS power when removed or in the 'OFF' position.

*Caution: This product requires 15V @ 750mA. When using the network to power this device ensure adequate power is available on the network.*

### Power Supply

+10 - 24V DC @ 750 mA Max



### Device LEDs and Buttons

#### Status LED

Green LED flashes – device OK

#### Data LED

Red LED flashes when messages sent on network.

#### Device Identification

Press and release switch.

Sending a message to identify the device on the network (red Data LED flashes)

### iCAN Network Connections

Function	iCANnet Cable Colours
0V	Black
CAN L	Blue
Shield	Silver
CAN H	White
+VDC	Red

Maximum segment distance: 500m (1640 ft)  
 Devices per segment: 100 (without bridge or repeater)  
 Consult Cooper Lighting Solutions for information on alternative cable types.

#### Network Power Requirements

Nominal operating voltage: 15V (12-18V)  
 Nominal operating current: 750mA

**IMPORTANT NOTE:** Connecting a mains potential cable to the iCAN Network terminals is likely to damage the unit and other devices connected, and invalidate warranty.