

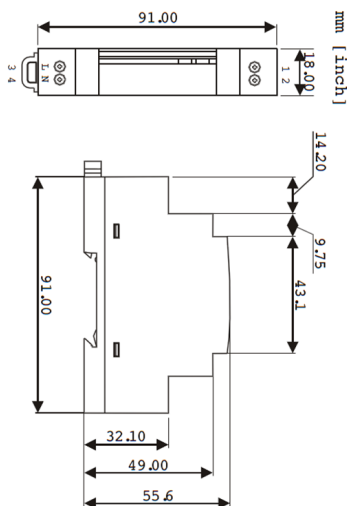
# PSU-15-DIN10WC

15V - 10W Power supply unit for DIN rail mounting.

## Key Features

- Low 56mm Profile
- Wide Range AC input
- Full Power at 61°C
- Fits into wall mounted cabinets
- Global use with no input selector switches
- No derating needed

## Dimensions



## Overview

The PSU-15-DIN10WC is a DINrail mounted power supply with a single fixed output rating of 10W at 15V.

## Electrical Data

AC Input Voltage range: 90 - 264VAC,  
Class II double insulated

Input Frequency: 47 - 63Hz

DC Input Voltage range: 120 - 370VDC

Inrush Current (115 / 230VAC): 15 / 30A

Output Voltage Accuracy %:  $\pm 1\%$  of Nominal

Overcurrent Protection (Typ): 110 - 160%,  
fold forward under short circuit

Overvoltage Protection V: 120 - 145%

LED Indicators: Green LED = On, Red LED = DC  
Output Low

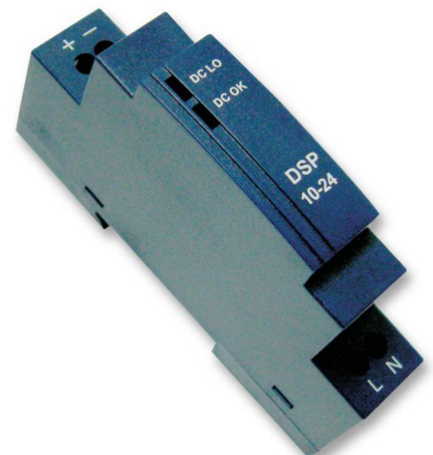
Operating Temperature: -25 to +71°C

Operating Humidity: 20 to 95% RH (non condensing)

Cooling: Convection

Immunity: EN61000-4-2, -3, -4, -5, -6, -8 & -11

Conducted & Radiated EMI: EN55022 class B



## Contact your local Eaton office

T: +44 (0)1923 495495 F: +44 (0)1923 228796  
E: enquiries@iLight.co.uk www.iLight.co.uk



**Eaton Lighting Systems**  
20 Greenhill Crescent,  
Watford Business Park,  
Watford, Herts, WD18 8JA. UK  
eatonlightingsystems.com

© 2019 Eaton  
All Rights Reserved

Document No: PSU-15-DIN10WC Rev4 0919

Changes to the products, to  
the information contained in  
this document, and to prices  
are reserved; so are errors and  
omissions.

Eaton is a registered trademark.

All other trademarks are property  
of their respective owners.



FM 664349

