

Mechanical Data

Weight: 4 kg

Material: Sheet steel

Surface Treatment: RAL9016 powdercoat

Door: Lockable steel hinged door

Mains Cable Access

6 x 25.5mm/M25 knockout &

1 x 38.3mm/PGx knockout

Control Cable Access

1 x 25.5mm/M25 knockout

Terminal Sizes

Neutral: 2 x 25mm² & 13 x 16mm²

Earth: 2 x 25mm² & 13 x 16mm²

Climate Range

Temperature: +2°C to +50°C

Humidity: +5 to 95% non condensing

Ratings

Ingress Protection: IP20

Impact Resistance: IK07

In accordance with: IEC 62208:2011

Electrical Data

Supply: 230 volts +/- 10% 50/60 Hz

Protection: 6A MCB

Integral iLight Network Power Supply: 15V 500mA

Terminal Sizes:

Neutral: 2 x 25mm² & 13 x 16mm²

Earth: 2 x 25mm² & 13 x 16mm²

iCANnet™ input/output screw terminals: 5 x 1mm²

DALI output screw terminals: 8 x 2.5mm²

RS485 / DMX input screw terminals: 3 x 2.5mm²

Switch input screw terminals: 3 x 2.5mm²

Installation: Installation must be carried out by a suitably qualified electrician.

DALI signal: Nominal 16V, max current 250mA supplies to each universe. Guaranteed minimum current 245mA Automatic shut-down and restart after short-circuit (maximum 1 per bus) according to IEC 62386-101."

DMX Signal: Addressable in Device Editor, DMX512-A

Switch Inputs: 2, configurable as break or make

Control Data

Control: Via iLight network connection

Recommended Network Cable: iCANnet™ Network Cable

Programming: Via Device Editor software

Installation Guide

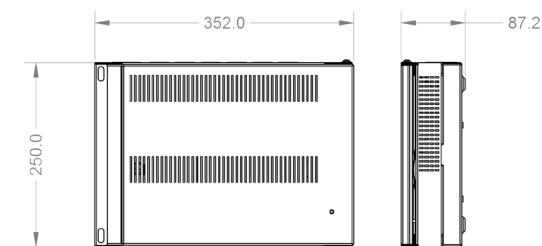


EN1-SCMD4

4 Universe Addressable DALI-2 Control Enclosure



Dimensions



Overview

EN1-SCMD4 is a 4 universe DALI-2 control enclosure enabling dimming and switching of up to 256 individual addressable DALI devices including luminaires and iLight DALI relays. iLight DALI multi sensors and control plates can be added to the DALI universes creating a complete DALI solution. Each DALI universe supports up to 64 groups and can monitor the performance of DALI addressable devices and report status back through iCANnet. Emergency light tests and reporting can also be instigated through this versatile lighting controller.

The compact design of EN1-SCMD4 delivers system flexibility as well as reducing installation costs and space used. Being part of the iLight system, it can be seamlessly integrated into flexible lighting schemes with any type of lighting load for commercial, architectural and residential applications. Integration with Building Management Systems allows for centralised control and management of the lighting system.

The knockouts to the top of the enclosure have been designed to line up with any of the original iLight source controllers making replacement quick and easy in a retrofit environment.

A dedicated knockout is provided for iCANnet connection to the EN1-SCMD4 and several accessories are available to aid the installer in connection of the iCANnet network.

iLight

Usk House, Lakeside, Llantarnam Park,
Cwmbran, NP44 3HD, UK

t: +44 (0)1923 495495
e: enquiries@iLight.co.uk
www.iLight.co.uk

E&OE. iLight reserve the right to make changes to the equipment without prior notice.
© iLight

Doc No: 9850-000882-00

EU Authorised Representative

Cooper Lighting Netherlands B.V.
High Tech Campus
HTC 48
Eindhoven
5656 AE



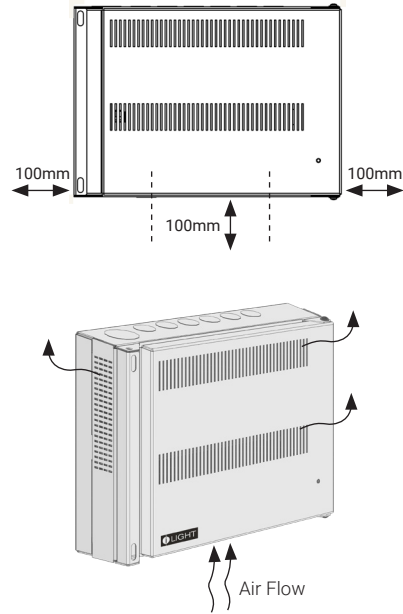
Location

Control cabinets must be located in a dry, well ventilated location where the ambient temperature is within the range of +2°C to 50°C (humidity of +5 to +95% non-condensing).

The EN Series are designed to be mounted vertically on a suitable surface, capable of supporting the weight of the populated assembly. It is important to orientate the unit correctly to allow for effective airflow for ventilation.

It is recommended to leave 100mm distance between the control cabinet and walls or other equipment underneath and either side of the unit.

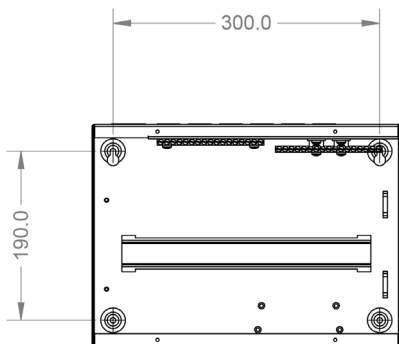
The EN series accommodate most common forms of cable management. Care should be taken not to obscure any ventilation grill on the enclosure.



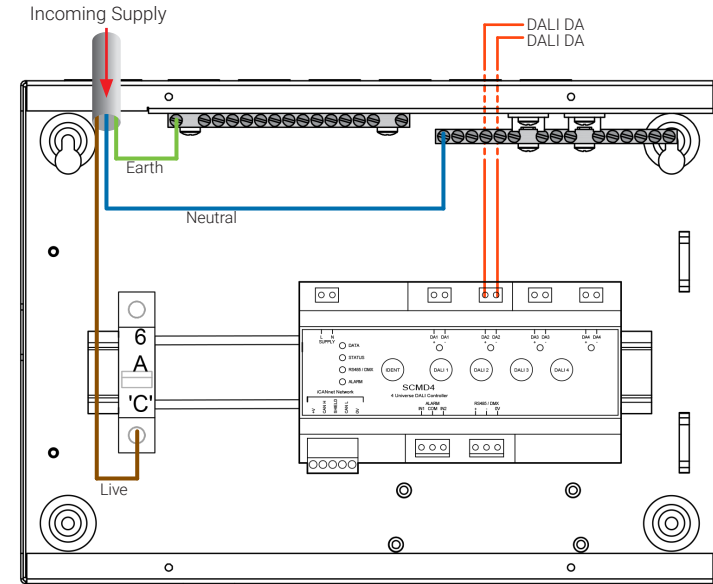
Mounting

Before mounting the cabinet to the wall, the cover will need to be removed. There are 4 screws behind the hinged door which, when unscrewed, allow the cover assembly to be removed.

In the rear section of each cabinet, there are 4 fixings holes, each accommodating up to 6mm diameter fixings. The top holes are 'key slot' design enabling the cabinets to first be hung and then secured onto place using the 2 lower fixings.



Supply and Control Wiring



Accessories

ENACC-LND-INT - iCANnet Landing Card



ENACC-PRG-INT - iCANnet Programming Port and RJ12 lead



The optional landing card provides connection of the iCANnet Network to the internal panel network. M4 Threaded posts are provided as standard to support the installation of this optional card.

The card can then be connected to the optional RJ12 programming port via an RJ12 lead to provide external connection to the network for programming and maintenance.

