



PPAD-C-12-24V

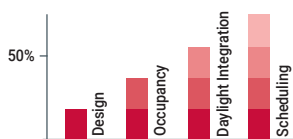
Ceiling mounted PIR presence/absence detector

Key Features

- For connection to iCAN networks via UIM, UIG-2, UIS or DALI-U devices.
- PIR Sensor: Detects movement within the unit's detection range, allowing load control in response to changes in occupancy.
- Absence and override to on/off via switch input.
- Light Level Sensor: An integral adjustable photocell allows the lights to be kept off if there is sufficient ambient light.
- Switch input connector: Two input terminals can be used to manually override the lights on or off.
- Status LEDs.



Achievable Energy Savings



Code Compliance

- Improves BREEAM & LEED scoring for building sustainability.
- Contributes to energy reduction targets under Climate Change Levy (CCL) and Carbon Reduction Commitment (CRC).
- Qualifies for Enhanced Capital Allowance (ECA) applications.
- Delivers lighting control requirements under UK Building Regs - L2a & L2b and BRE: 498.

Overview

The PPAD-C-12-24V is a low voltage presence/absence detector which provides automatic control of lighting, heating and ventilation loads when connected to the iCAN network*

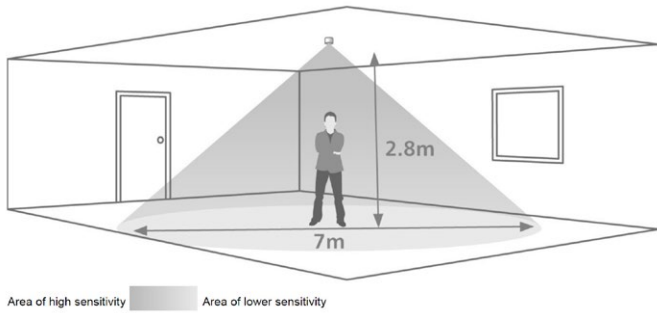
The PPAD-C-12-24V detects movement using a PIR (Passive Infra-Red) detector.

This unit can operate both in presence and absence mode as well as in response to a user defined daylight threshold level.

System timeout periods are adjusted in iCANsoft.

The PPAD-C-12-24V may be powered from the iCAN network supply.

Detection



Ideal for smaller offices, toilets and circulation areas.

Maximum recommended mounting height: 3m

Technical Specifications

Weight: 0.10kg

Supply Voltage: 12-24V via iCANnet network using UIS, UIG-2, UIM and DALI-I-U devices

Switched Output: Open collector transistor

Supply Current: 50mA (Additional power supply may be required depending on total network load)

Power consumption: On 640mW, Off 271mW

Terminal Capacity: 2.5mm²

Temperature -10°C to 35°C

Humidity: 5 to 95% non-condensing

Material (casing): Flame retardant ABS and PC/ABS

Type: Class 2

IP Rating: IP40

Accessories

SB-C: Surface Mounting Box

SB-C-EX: Surface Mounting Box Extender

Remote Control Programmers (ordered separately)

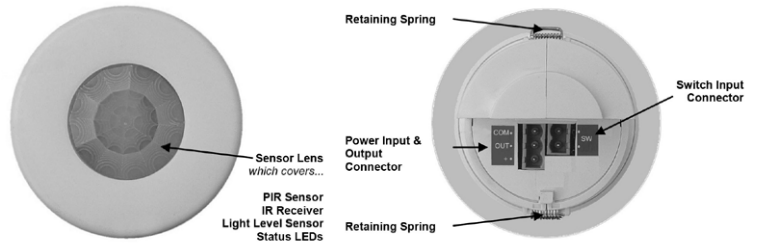
HHIR-PROG: Hand held IR programmer control.

HHIR-LCD-PROG: Advanced hand held IR programmer with LCD display.

Commissioning

PIR on/off time and threshold light level can be set via the hand held IR remote for commissioning.

*This sensor is intended for use with UIS, UIG-2, UIM and DALI-I-U devices on iCAN networks. Additional network commissioning will be required.



Sensor functionality

Detection Mode

The Detection Mode can be set to behave in Presence or Absence mode:

- Presence: When movement is detected the sensor will automatically activate. When the area is no longer occupied the sensor will automatically de-activate after an adjustable time period.
- Absence: The sensor is manually activated. When the area is no longer occupied the sensor will automatically deactivate after the adjustable time period has elapsed.

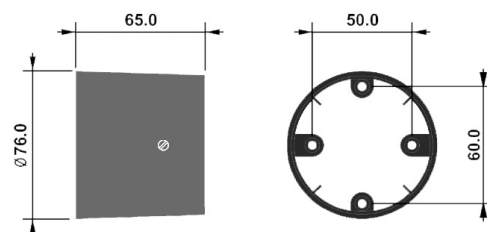
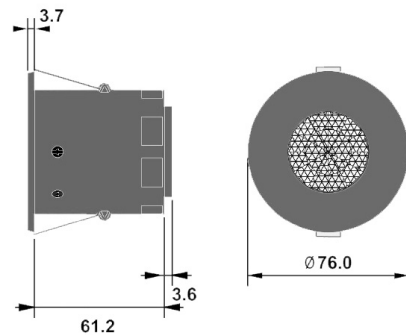
In either case, sensitivity to movement of the PIR sensor can be adjusted using the Sensitivity parameter.

HINT: To assist in setting the Sensitivity, turn on the Walk Test LED which will flash red when movement is detected.

Switch Level On/Off

- Occupancy detection can be made dependent on the ambient light level using the Lux On Level and Lux Off Level parameters.

Dimensions



Contact Us

+44 (0)1923 495495

enquiries@iLight.co.uk

www.iLight.co.uk

iLight

A brand of Signify
Usk House, Llantarnam Park
Cwmbran, NP44 3HD, UK

© 2022 Signify Holding
All Rights Reserved

PPAD-C-12-24V Rev4 1121

Changes to the products, to the information contained in this document, and to prices are reserved; so are errors and omissions.

iLight is a registered trademark.
All other trademarks are property of their respective owners.



FM 727924