

# User Interface - CLASSIC

## Custom configuration order form

Name: _____	Company: _____
Project Name: _____	Address: _____
Telephone Number: _____	_____
Fax Number: _____	Completed By: _____
Email Address: _____	Date: _____

Plate Types	Series 3 (Screwless Fixing)	Series 2 (Screw Fixing)	Quantity	Button Colour	
	Tick if required	Tick if required		Black	White
Classic (Single Gang)	<input type="checkbox"/>	<input type="checkbox"/>	<input type="text"/>	<input type="checkbox"/>	<input type="checkbox"/>
Classic (Double Gang)	<input type="checkbox"/>	<input type="checkbox"/>	<input type="text"/>	<input type="checkbox"/>	<input type="checkbox"/>

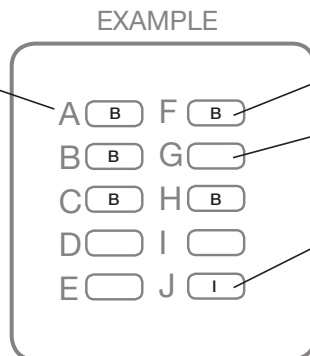
**Please note:**

- Custom button configurations attract custom charges (See Price List)
- Cancellation fees may apply.
- Not all configurations may be possible. iLight to advise against your request.
- Third Party plates are subject to confirmation.

### Custom Plate Configuration

Blank out buttons required for your custom configuration on the relevant control plate drawing below and, if required, add symbol for Infra-Red or a programming point in the available location.

Button location reference letter



Button Required  
(Add the character 'B' )

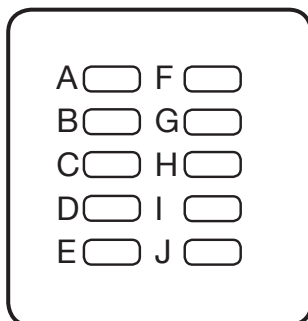
Button Not Required  
(Leave blank)

Add the character 'I' if Infra-red receiver is required or

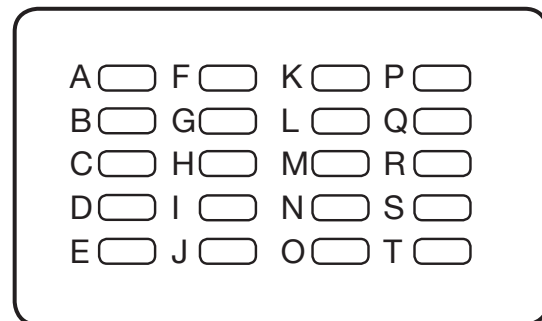
Add the character 'P' if a concealed programming point is required or

Add 'B' for a standard button

(Note: IR Location and programming point only available in button position 'J' or 'T' )



Classic (Single Gang)



Classic (Double Gang)

# User Interface - CLASSIC

## Custom configuration order form



### Classic Plate Finishes

Tick if required

SS*	-	Satin Stainless Steel	<input type="checkbox"/>
PB*	-	Polished Brass	<input type="checkbox"/>
MS*	-	Mirror Stainless Steel	<input type="checkbox"/>
W*	-	White	<input type="checkbox"/>
SL	-	Satin Silver	<input type="checkbox"/>
MB	-	Matt Black	<input type="checkbox"/>
CW	-	Creamy White	<input type="checkbox"/>
SD	-	Satin Desert Brass	<input type="checkbox"/>
PD	-	Polished Desert Brass	<input type="checkbox"/>
DG	-	Desert Gold	<input type="checkbox"/>
LB	-	Light Bronze	<input type="checkbox"/>
AB	-	Antique Bronze	<input type="checkbox"/>
AR	-	Antique Brass	<input type="checkbox"/>
AC	-	Antique Copper	<input type="checkbox"/>
AS	-	Antique Silver	<input type="checkbox"/>
QZ	-	Quartz	<input type="checkbox"/>
BN	-	Bright Nickel	<input type="checkbox"/>
SN	-	Satin Nickel	<input type="checkbox"/>
YP**	-	Yellow Etched Primer	<input type="checkbox"/>

Custom Colour - Add RAL reference

\* Usually in stock. Other finishes may require a longer lead time.  
 \*\* Order 'Yellow Etched Primer' when requiring plates ready for self finishing.

### Custom Button Engraving

Type will be centred within the button.

Enter character or symbol here (up to 5 per button)

A	<input type="text"/>	K	<input type="text"/>
B	<input type="text"/>	L	<input type="text"/>
C	<input type="text"/>	M	<input type="text"/>
D	<input type="text"/>	N	<input type="text"/>
E	<input type="text"/>	O	<input type="text"/>
F	<input type="text"/>	P	<input type="text"/>
G	<input type="text"/>	Q	<input type="text"/>
H	<input type="text"/>	R	<input type="text"/>
I	<input type="text"/>	S	<input type="text"/>
J	<input type="text"/>	T	<input type="text"/>

### Button Illumination Colour

Classic control panel buttons include Blue LEDs as standard

To change to White LEDs - Tick Here:

### Custom Plate Engraving

Please submit a drawing with this form showing clearly what type or symbols you require under each button.

Drawing Reference:

Please email drawings to: [customerserviceCC@Eaton.com](mailto:customerserviceCC@Eaton.com)

Font Required:	<input type="text"/>	Standard Engraved:	<input type="checkbox"/>
Font Size:	<input type="text"/>	or Colour In-fill:	<input type="checkbox"/>
Font Weight:	<input type="text"/>	Colour (RAL):	<input type="text"/>

**Please note:** When ordering custom plates, listed above, with more than one standard finish and/or requirements for both Series 2 and Series 3 plate designs, separate forms will need to be used.

**Please send completed form via email to: [customerserviceCC@Eaton.com](mailto:customerserviceCC@Eaton.com)**

SOP ref. For internal office use.



Powering Business Worldwide

### Eaton Lighting Systems

Usk House, Lakeside, Llantarnam Park, Cwmbran, NP44 3HD, UK

T: +44 (0)1923 495495

E: [LightingControlSolutions@eaton.com](mailto:LightingControlSolutions@eaton.com) [EatonLightingSystems.com](http://EatonLightingSystems.com)