

# MTS6 & MTS12

## DALI Ceiling Sensor with PIR and Daylight Sensing

### Key Features

- Daylight sensing & occupancy detection technologies combined into a single device
- All device settings (timers, sensitivity and groups) programmable through software, no physical adjustments needed
- Ultra low profile and small diameter provides an aesthetically pleasing design
- Draws power from the DALI communication bus to eliminate the need for external power packs
- Sharing sensor data with third party automation systems significantly reduces total bill of materials
- Robust communication interface withstands accidental connection to power lines (up to 347V)
- CE compliant to all relevant standards
- Designed and manufactured to ISO9001:2015 standards

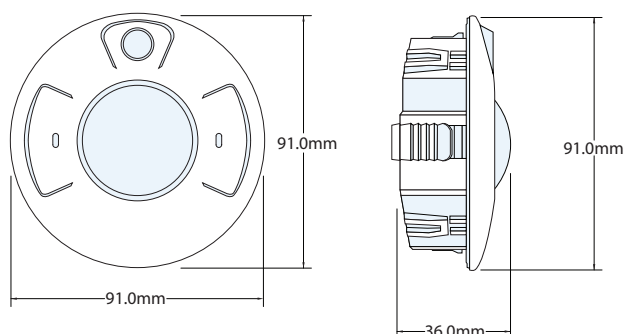
### Overview

The iLight DALI Multi-Sensor combines daylight sensing and occupancy detection into a single device.

The Multi-Sensor communicates over the Digital Addressable Lighting Interface (DALI) and allows for all device settings and groups to be adjusted remotely.



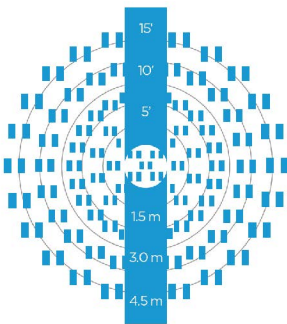
### Dimensions



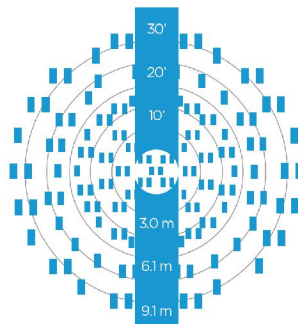
## Technical Information

<b>Performance</b>	<b>Input Voltage:</b> 9.5 - 22.5 VDC supplied by DALI communication bus
	<b>Coverage:</b> MTS6 = 55m <sup>2</sup> or MTS12 = 110m <sup>2</sup> at 2.4m ceiling height
	<b>Occupancy Detection Technology:</b> Passive Infrared (PIR)
	<b>Lens Type:</b> Multi-level Fresnel 360°
	<b>Daylight Sensing Range:</b> 0 to 400 lux
	<b>Daylight Sensing Coverage:</b> Light input within 60° cone
	<b>Status Indicator:</b> LED
<b>Wiring &amp; Mounting</b>	<b>DALI:</b> 0.75mm <sup>2</sup> (18 AWG) stranded PTFE plenum rated non-polarized pair
	<b>Mounting:</b> 101.5mm (4") octagon junction box or 76mm (3") hole in ceiling tile
<b>Control Specification</b>	<b>Communication Interface:</b> Digital Addressable Lighting Interface (DALI)
	<b>DALI Current Draw:</b> 3.75mA
<b>Standards</b>	Manufactured in an ISO 9001:2015 certified factory

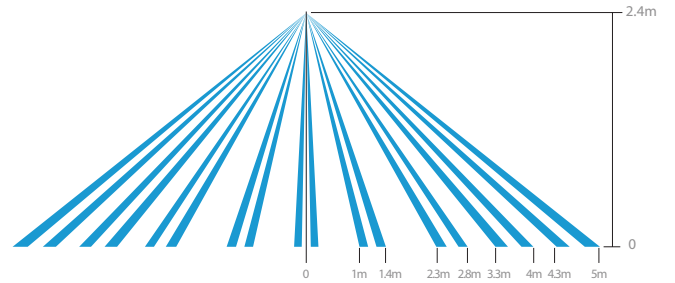
## Detection



MTS6 Coverage

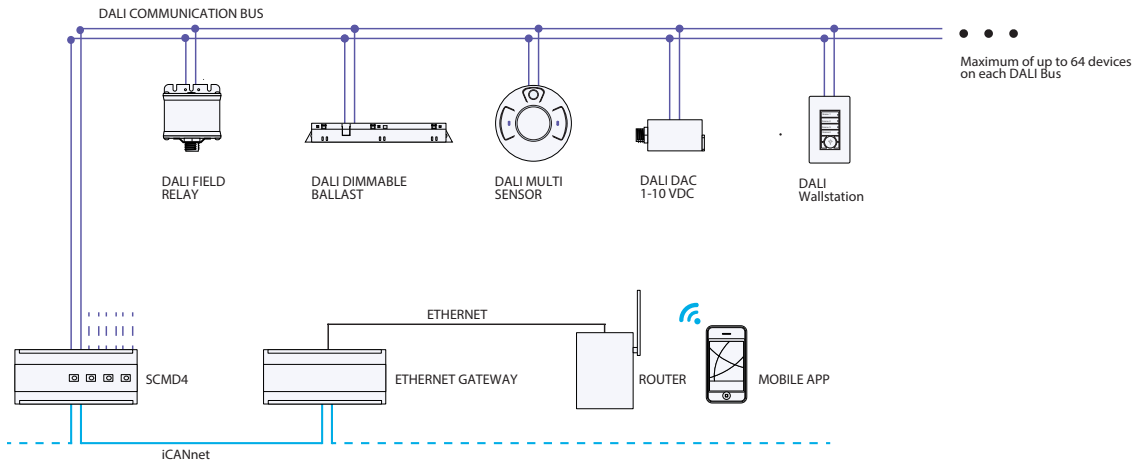


MTS12 Coverage



MTS6 Coverage

## Typical Schematic



## Contact Us

+44 (0)1923 495495

enquiries@iLight.co.uk

www.iLight.co.uk

**Cooper Lighting Solutions**  
20 Greenhill Crescent,  
Watford Business Park,  
Watford, Herts, WD18 8JA. UK

Changes to the products, to the information contained in this document, and to prices are reserved; so are errors and omissions.

iLight is a registered trademark.

All other trademarks are property of their respective owners.