

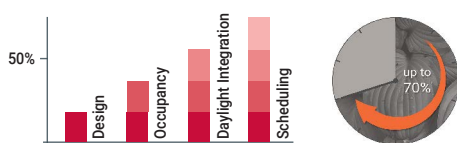
MPAD-C-A-12-24V

Ceiling mounted adjustable microwave presence/absence detector

Key Features

- For connection to iCAN networks via UIM, UIG-2, UIS or DALI-I-U devices
- Microwave Sensor - Detects movement within the unit's detection range, allowing load control in response to changes in occupancy
- Adjustable for tilt and range
- Light Level Sensor: An integral adjustable photocell allows the lights to be kept off if there is sufficient ambient light
- Status LEDs

Achievable Energy Savings



Overview

The MPAD-C-A-12-24V is a ceiling mounted, adjustable low voltage powered microwave presence/absence detector providing automatic control of lighting, heating and ventilation loads when connected to the iCAN network*.

The MPAD-C-A-12-24V detects movement using a highly sensitive microwave detector. This works by emitting low power microwave signals and measuring the reflections as the signals bounce off moving objects.

This unit can operate both in presence and absence mode as well as in response to a user defined daylight threshold level.

The MPAD-C-A-12-24V has a unique adjustable sensor head that allows the area of detection to be optimised for the application.

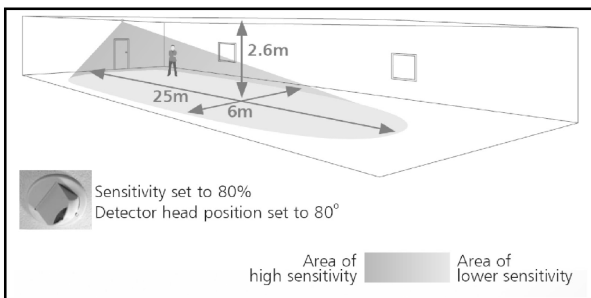
System timeout periods are adjusted in iCANsoft.

MPAD-C-A-12-24V may be powered from the CAN network supply.

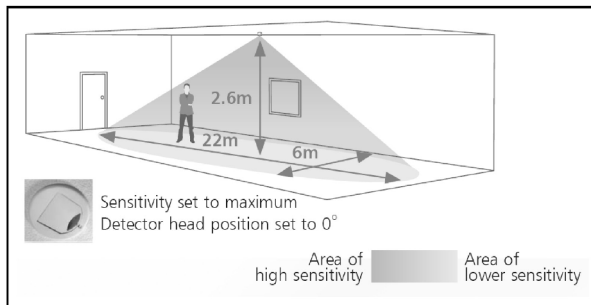
Code Compliance

- Improves BREEAM & LEED scoring for building sustainability
- Contributes to energy reduction targets under Climate Change Levy (CCL) and Carbon Reduction Commitment (CRC)
- Qualifies for Enhanced Capital Allowance (ECA) applications
- Delivers lighting control requirements under UK Building Regs - L2a & L2b and BRE: 498

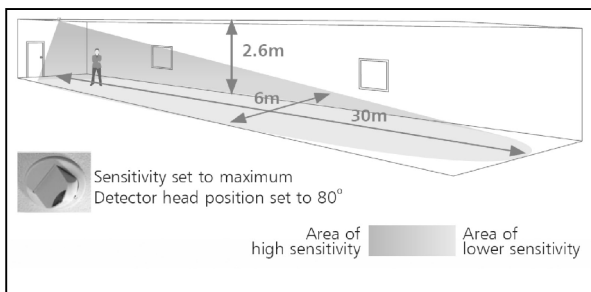
Detection



Ideal for large office or classroom



Ideal for open plan areas and offices



Ideal for corridor or aisle applications.

Maximum recommended mounting height: 3m

Note. If the range is compromised by the ceiling construction / material, an optional 20mm spacer ring can be used.

Technical Specifications

Weight: 0.15kg

Supply Voltage: Min 11.5VDC max 36VDC, min 10VAC max 26.5VAC

Switched Output: Open collector transistor

Power consumption: On 1100mW, Off 769mW (Additional power supply may be required depending on total network load)

Terminal Capacity: 2.5mm²

Temperature: -10°C to 50°C

Humidity: 5 to 95% non-condensing

Material: (casing) Flame retardant ABS and PC/ABS

Type: Class 2

IP rating: IP40

Safety: The microwave radiation emitted by these units is extremely low power and complies with ANSI standard "IEEE C95.1-1999 Standard for Safety Levels with Respect to Human Exposure to Radio Frequency Electromagnetic Fields 3kHz 300GHz."

Compliance EMC-2004/108/EC LVD-2006/95/EC

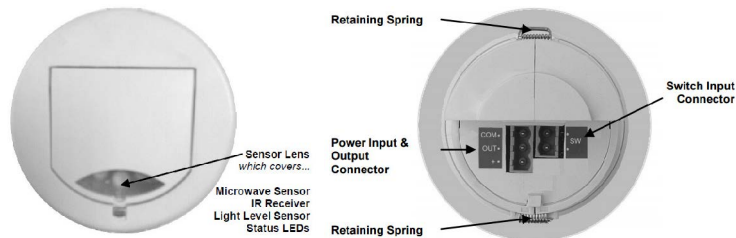
Contact Us

+44 (0)1923 495495

Cooper Lighting Solutions
20 Greenhill Crescent,
Watford Business Park,
Watford, Herts, WD18 8JA. UK

© 2020 Cooper Lighting Solutions
All Rights Reserved

MPAD-C-A-12-24V Rev6 0520

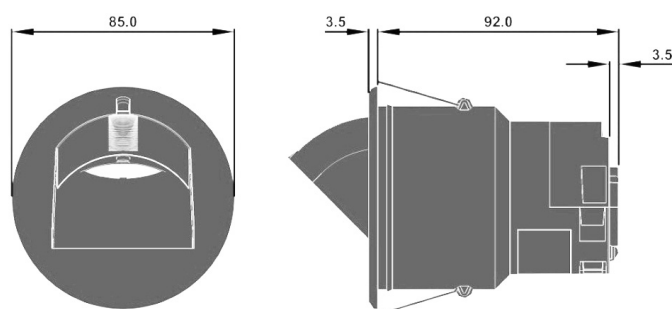


Commissioning

Microwave on/off time and threshold light level can be set via the hand held IR remote for commissioning.

*This sensor is intended for use with UIS, UIG-2, UIM and DALI-I-U devices on iCAN networks. Additional network commissioning will be required.

Dimensions



Order Codes and Frequency Compatibility

MPAD-C-A-12-24V (Then add suffix as follows)

Code	Region	Frequency
blank	UK, China, India, Middle East, Malaysia, Hong Kong, Singapore	10.687GHz
-R2	Australia and all of Europe except: UK, France, Portugal, Germany, Switzerland, Austria, Slovak Republic, Republic of Ireland	10.525GHz
-R3	France, Portugal, Switzerland	9.900GHz
-R4	Germany, Austria, Slovak Republic	9.350GHz
-R5	Republic of Ireland	10.41GHz

Accessories

SB-C: Surface Mounting Box

SB-C-EX: Surface Mounting Box Extender

PSU15-DIN-C: 15V Power Supply

Remote Control Programmers (ordered separately)

HHIR-PROG: Hand held IR programmer for setting sensor timeout, daylight threshold and microwave sensitivity only.

HHIR-LCD-PROG: Advanced hand held IR programmer with LCD display for reading and setting sensor timeout, daylight threshold and microwave sensitivity only.

enquiries@iLight.co.uk

www.iLight.co.uk

Changes to the products, to the information contained in this document, and to prices are reserved; so are errors and omissions.

iLight is a registered trademark.

All other trademarks are property of their respective owners.