



MPAD-C-230V

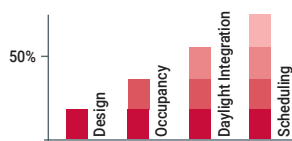
Ceiling mounted microwave presence/absence detector

Key Features

- Microwave Sensor: Detects movement within the unit's detection range, allowing load control in response to changes in occupancy
- IR Receiver: Receives control and programming commands from an IR (infrared) handset
- Light Level Sensor: Measures the overall light level in the detection area
- Status LEDs
- Power Input & Output Connector: Used to connect power to the unit and to connect a switched load
- Switch Input Connector: Two input terminals can be used to manually override the lights on or off



Achievable Energy Savings



Code Compliance

- Improves BREEAM & LEED scoring for building sustainability.
- Contributes to energy reduction targets under Climate Change Levy (CCL) and Carbon Reduction Commitment (CRC).
- Qualifies for Enhanced Capital Allowance (ECA) applications.
- Delivers lighting control requirements under UK Building Regs - L2a & L2b and BRE: 498.

Overview

The MPAD-C-230V is a stand alone mains voltage powered microwave presence/absence detector that provides automatic control of lighting loads with optional manual control.

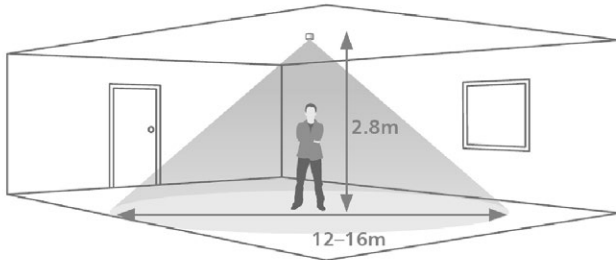
The MPAD-C-230V detects movement using a highly sensitive microwave detector. This works by emitting low power microwave signals and measuring the reflections as the signals bounce off moving objects.

The output channel comprises a mains voltage relay capable of simple on/off switching.

This unit can operate both in presence and absence mode as well as in response to ambient daylight levels.

All functionality is fully programmable using an IR handset. (ordered separately)

Detection



Area of high sensitivity  Area of lower sensitivity 

Ideal for larger offices, classrooms and commercial spaces.

Maximum recommended mounting height: 3m

Technical Specifications

Weight: 0.15kg

Supply Voltage: 230VAC +/- 10%

Frequency: 50Hz

Maximum Load: 10A of lighting and/or ventilation including incandescent, fluorescent, compact fluorescent, low voltage (by switching the primary of transformer). Derate load for LED in line with the LED lamp manufacturers instructions.

Power consumption: On 1100mW, Off 665mW

Terminal Capacity: 2.5mm²

Temperature: -10°C to 50°C

Humidity: 5 to 95% non-condensing

Material (casing): Flame retardant ABS and PC/ABS

Type: Class 2

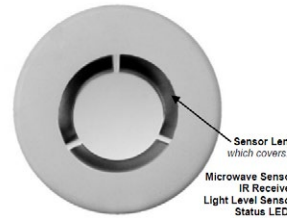
Microwave frequency: 5.8 GHz

Safety: The microwave radiation emitted by these units is extremely low power and complies with ANSI standard "IEEE C95.1-1999 Standard for Safety Levels with Respect to Human Exposure to Radio Frequency Electromagnetic Fields 3kHz 300GHz."

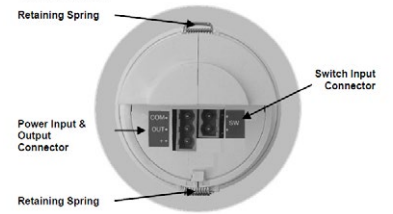
IP rating: IP40

Compliance: RED-2014/53/EU
EMC-2014/30/EU
LVD-2014/35/EU
2017 SI No 1206
2016 SI No 1091
2016 SI No 1101

Front features



Back features



Sensor functionality

Detection Mode

The Detection Mode can be set to behave in Presence or Absence mode:

- Presence: When movement is detected the load will automatically turn on. When the area is no longer occupied the load will automatically switch off after an adjustable time period.
- Absence: The load is manually switched on. When the area is no longer occupied the load will automatically switch off after the adjustable time period has elapsed.

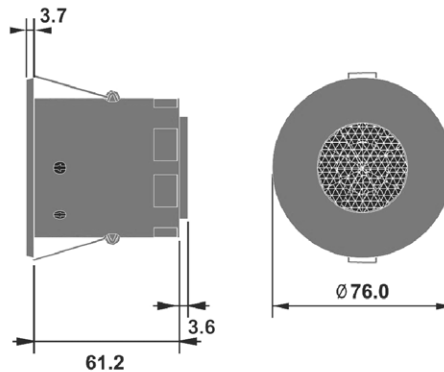
In either case, sensitivity to movement of the Microwave sensor can be adjusted using the Sensitivity parameter.

HINT: To assist in setting the Sensitivity, turn on the Walk Test LED which will flash red when movement is detected.

Switch Level On/Off

- Occupancy detection can be made dependent on the ambient light level using the Lux On Level and Lux Off Level parameters.

Dimensions



Accessories

SB-C: Surface Mounting Box

SB-C-EX: Surface Mounting Box Extender

Remote Control Programmers (ordered separately)

HHIR-PROG Hand held IR programmer control

HHIR-LCD-PROG Advanced IR programmer with LCD display

Contact Us

enquiries@iLight.co.uk

www.iLight.co.uk

iLight
A brand of Signify
Usk House, Llantarnam Park
Cwmbran, NP44 3HD, UK

© 2024 Signify Holding
All Rights Reserved

MPAD-C-230V Rev6 0124

Changes to the products, to the information contained in this document, and to prices are reserved; so are errors and omissions.

iLight is a registered trademark.
All other trademarks are property of their respective owners.



FM 727924