

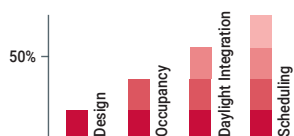
# PPAD-C-DALI-ADDR

## Ceiling mounted PIR presence/absence detector DALI Addressable

### Key Features

- PIR Sensor: Detects movement within the unit's detection range, allowing load control in response to changes in occupancy.
- Light Level Sensor: Measures the overall light level in the detection area.
- Status LEDs.
- Connection to DALI network for power and communication.

### Achievable Energy Savings



### Code Compliance

- Improves BREEAM & LEED scoring for building sustainability.
- Contributes to energy reduction targets under Climate Change Levy (CCL) and Carbon Reduction Commitment (CRC).
- Qualifies for Enhanced Capital Allowance (ECA) applications.
- Delivers lighting control requirements under UK Building Regs - L2a & L2b and BRE: 498.



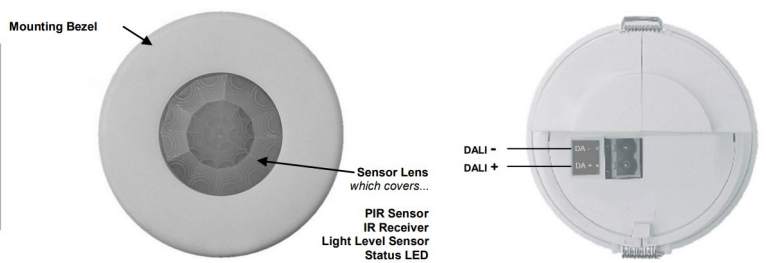
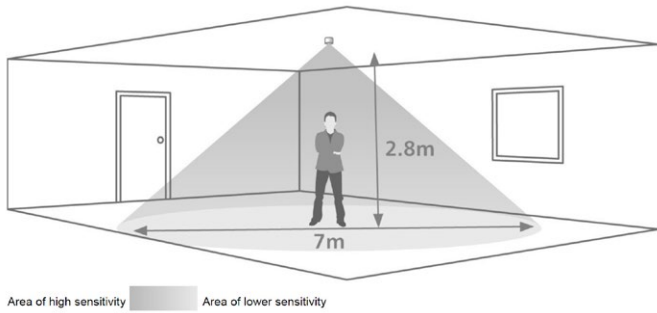
### Overview

The PPAD-C-DALI-ADDR is a ceiling mounted, fully addressable DALI passive infrared PIR presence/absence detector designed to be part of the iLight Series DALI network\*

Functioning as a presence detector, the unit returns occupancy data to the DALI network.

The photocell provides a lux level measurement value to the DALI network.

## Detection



Ideal for open plan offices, modular offices and commercial spaces where daylight harvesting and minimum light levels are required.

Maximum recommended mounting height: 3m

## Technical Specifications

Weight: 0.15kg

Supply Voltage: 9.5VDC–22.5VDC via DALI

Supply Current 8mA

Temperature range: -10°C to 35°C

Humidity: 5 to 95% non-condensing

Material (casing): Flame retardant ABS and PC/ABS

Type: Class 2

IP rating: IP40

Compliance: EMC-2004/108/EC LVD-2006/95/EC

## Accessories

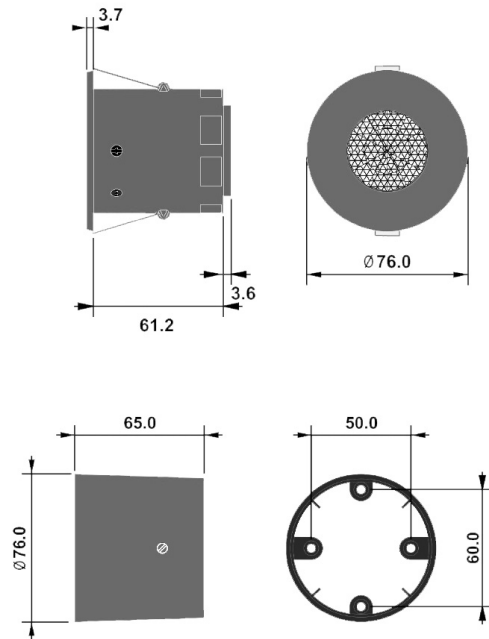
SB-C: Surface Mounting Box

SB-C-EX: Surface Mounting Box Extender

## Commissioning

\*This sensor is intended for use with iLight DALI controllers (Using SCMD4). Commissioning is done when addressing devices on the DALI loop.

## Dimensions



## Contact Us

+44 (0)1923 495495

[enquiries@iLight.co.uk](mailto:enquiries@iLight.co.uk)

[www.iLight.co.uk](http://www.iLight.co.uk)

### iLight

A brand of Signify  
Usk House, Llantarnam Park  
Cwmbran, NP44 3HD, UK

© 2021 Signify Holding  
All Rights Reserved

PPAD-C-DALI-ADDR Rev4 1121

Changes to the products, to the information contained in this document, and to prices are reserved; so are errors and omissions.

iLight is a registered trademark.  
All other trademarks are property of their respective owners.

UK  
CA

CE



FM 727924

