

FR-3

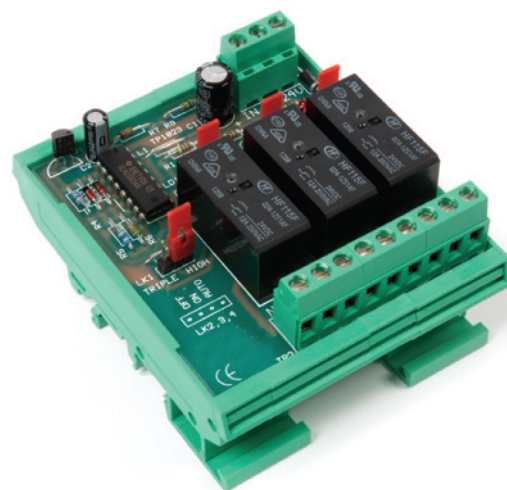
3 Stage Relay Control for HVAC systems

Specification

- Power Supply: 24V AC/DC +/-10%
- Input (Signal): 0-10V DC (load 0.5mA max)
- Output Contacts: 3 x Volt free 5A at 240V AC (inductive)
- Power Consumption: 90mA max
- Switching Volts: See table
- Selectable Options: - Heat / Cool or 3 Stage
- - Off / Man / Auto
- LED Indication: When relay energised
- Terminals: 1.0mm² recommended 2.5mm² max
- Operating Temperature: 0 to 50°C
- Dimensions: 82mm (H) x 66 mm (W) x 50mm (D)
- Compatible With: HVAC-1 controller

Order Code

FR-3: 3 Stage Relay Control



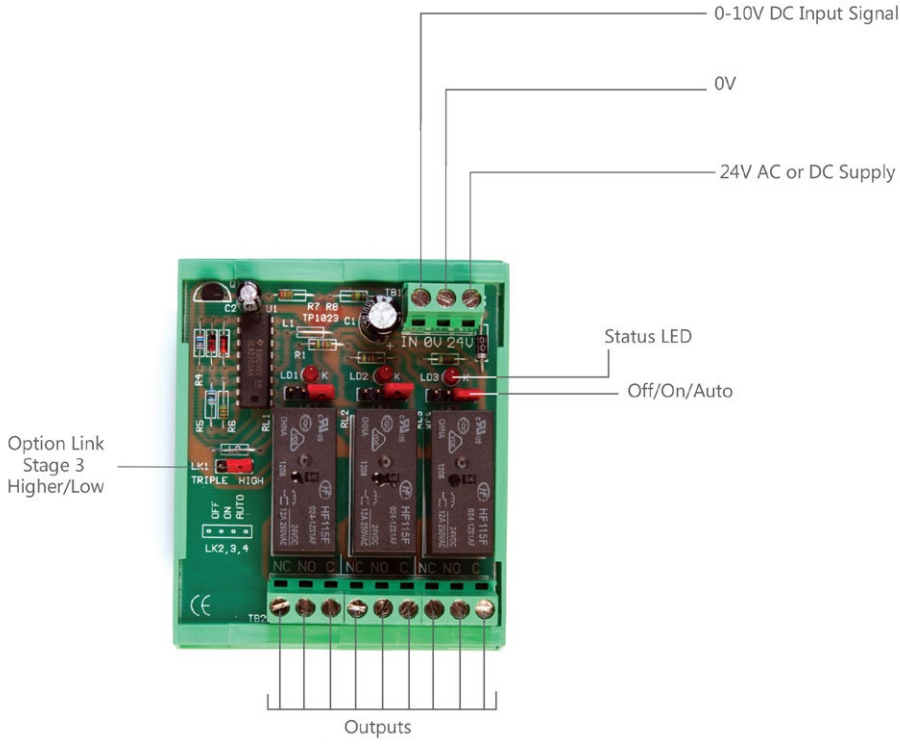
Overview

The FR-3 is used to convert an analogue 0-10V control signal to 3 stages of relay switching output. FR-3 offers two selectable control options:-

Option 1: Heat/Cool used to sequence control 3 functions such as FAN/COOL/HEAT

Option 2: Step control used to operate 3 stages of plant such as Boilers, Chillers, Electric Heating and particularly used for switching 3 speed fans.

Connections



Switching Volts

| Switching Voltage | Heat Cool | | | 3 Stage Control | | |
|-------------------|-----------|-----|-----|-----------------|-----|-----|
| | R1 | R2 | R3 | R1 | R2 | R3 |
| 0 | Off | Off | Off | Off | Off | Off |
| 3 | On | On | Off | On | Off | Off |
| 6 | On | Off | Off | On | On | Off |
| 9 | On | Off | On | On | On | On |

Contact Us

+44 (0)1923 495495

enquiries@iLight.co.uk

www.iLight.co.uk

iLight

A brand of Signify
Usk House, Llantarnam Park
Cwmbran, NP44 3HD, UK

Changes to the products, to the information contained in this document, and to prices are reserved; so are errors and omissions.

© 2022 Signify Holding
All Rights Reserved

iLight is a registered trademark.
All other trademarks are property of their respective owners.

FR-3 Rev6 1121



FM 727924