

# TSE80

## 8" LCD Colour Touchscreen

### Key Features

- 8 inch (203.2mm) diagonal backlit capacitive LCD touchscreen.
- Supports multi-touch & gesture
- 1280 X 800 pixel resolution.
- Colour Depth: 16.7M colours, 400 nits brightness.
- Fits US NEMA 2 gang back box (Ref: TSE80 Back Box)
- All graphics and buttons can be customised
- Password feature to allow different access levels
- CE & UKCA compliant to all relevant standards
- Designed and manufactured to ISO9001 standard



### Overview

The TSE80 touchscreen is a flexible device which provides an intuitive “user friendly” method of interfacing to the iLight control system. The LCD capacitive screen provides virtually limitless flexibility of system configuration and control. It is completely software based, and programs can be tailored to suit the precise needs of the user. The touch screen can also be used to provide control of other integrated systems such as curtains and blinds and HVAC.

TSE80 comes with a choice of two graphical skins which can be swapped between easily at programming stage to the clients preference. The look can be further personalised by adding custom background images - From a branded hotel welcome page to a minimalist theme for a home cinema room.

TSE80 connects to the iLight network using a TSI-1 touchscreen interface.

## 'User Friendly' Software

Screen Design and Customisation requires a CLS TSE Designer Software License. The software incorporates a quick start wizard and full design mode for simple or custom screen designs.

Background images can be quickly applied using the browse function and virtual buttons positioned at any point with a simple 'drag & drop' action. By applying a different appearance to the button, they can be used to show when a function has been activated.

## Functionality

- Scene Selection
- Scene programming
- Channel level edit via graphical sliders showing percentage.
- Scene and channel naming
- Task / sequence programming
- Default screen programming
- Photocell / motion sensor interaction
- Ability to import room layout drawings, logos & graphics
- Ability to insert soft buttons for activating scenes and / or channels.

## Electrical

Supply: PoE 802.3af compliant via RJ45 connector or 24Vdc via power connector (Order separately)

Programming: Eaton's TSEdesigner software via Ethernet connection

Diagnostics - network

Memory:

DDR3 x32 1600Mbps (Expandable to 4GB), 8Gb eMMC

## Mechanical

Display:

High performance HD, IPS 8" LCD, 1280 X 800 resolution

Colour Depth: 16.7M colours, 400 nits brightness

Projected Capacitive Touch supporting multi-touch & gesture

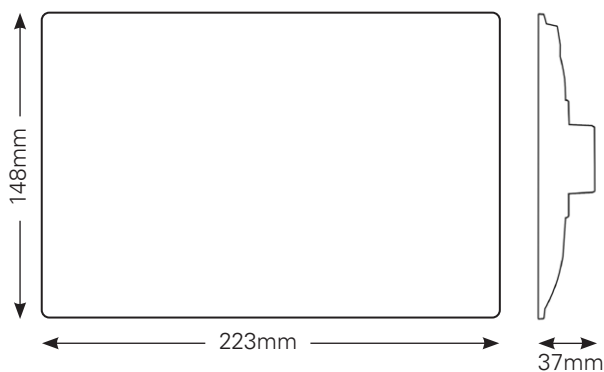
Climate Range:

Temperature: +2°C to +40°C

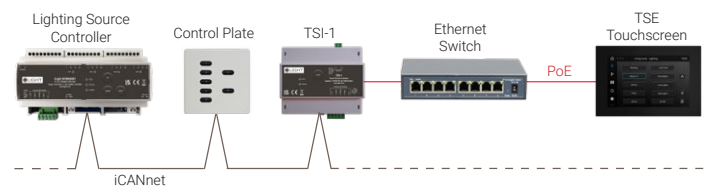
Humidity: +5 to 95% non condensing



## Dimensions



## Typical Schematic



## Contact Us

+44 (0)1923 495495

[enquiries@iLight.co.uk](mailto:enquiries@iLight.co.uk)

[www.iLight.co.uk](http://www.iLight.co.uk)

### iLight

A brand of Signify  
Usk House, Llantarmam Park  
Cwmbran, NP44 3HD, UK

© 2021 Signify Holding  
All Rights Reserved

TSE80 Rev8 1121

Changes to the products, to the information contained in this document, and to prices are reserved; so are errors and omissions.

iLight is a registered trademark.  
All other trademarks are property of their respective owners.



FM 727924