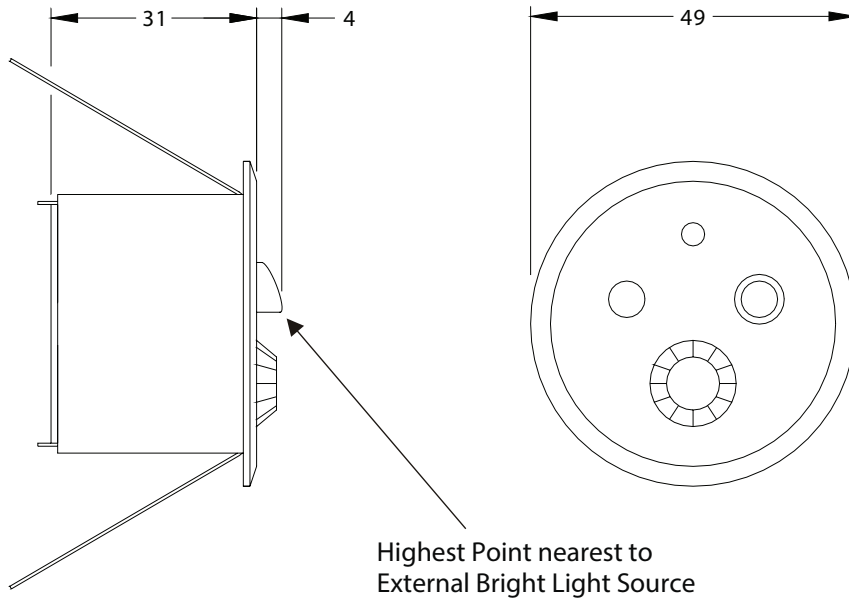


Mechanical Details



Mechanical Fixing

