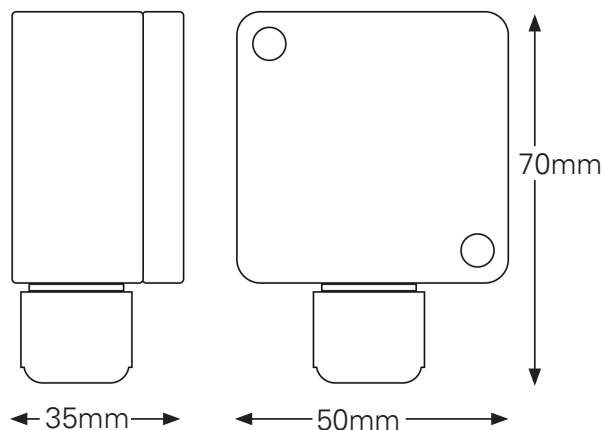


Introduction

The PE2-EXT is a photo detector based light level sensor mounted in a case protected to IP65. This sensor is intended for protected external use.

Dimensions



Location

The unit can be mounted in any suitable position, but it is best if it is shielded from water falling directly on to its face.

Specification

- Supply Voltage: 5-12V DC, 5mA MAX current
- Power consumption: 0.5mW max (When used with UIM)
- Range 0 - 2000 Lux Note: External components may be required to achieve 2000 Lux
- Climate Range: IP65
- Temperature: -30°C to +60°C
- Humidity: +5 to 95% non condensing

Introduction

The unit will provide a DC voltage proportional to the light level falling upon it.

Used with an iLight UIM (Mini Universal Interface), the iLight lighting control system may be programmed to control threshold lighting levels and instigate network commands.

Multiple light level commands are also possible, consult iLight for detailed system design.

Electrical Connection

Important: Isolate supply before starting installation procedure.

1. Fix the sensor into position.
2. Connect the wiring as shown on the connection diagram. The connections should be made with two core cable with an overall screen.
3. It is essential if this unit is being used externally that the correct cable and glands are used to maintain the units sealing.

Wiring

