

# Installation Guide

## CR1-RJ

iCANnet to iCANnet Repeater



### Eaton Lighting Systems

Usk House, Lakeside  
Llantarnam Park,  
Cwmbran,  
NP44 3HD, UK

T: +44 (0)1923 495495  
E: techsupportcc@eaton.com  
www.iLight.co.uk

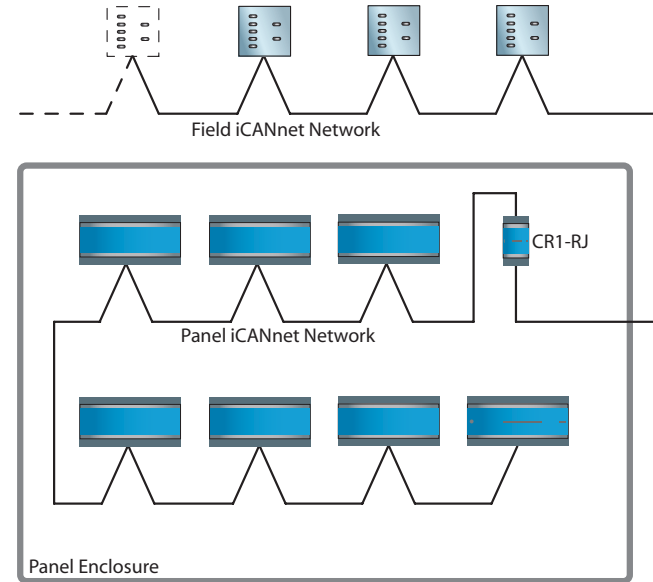


E&OE. Changes to the products, to the information contained in this document, and to prices are reserved; so are errors and omissions. © Eaton

Document Number: 9850-000562-01

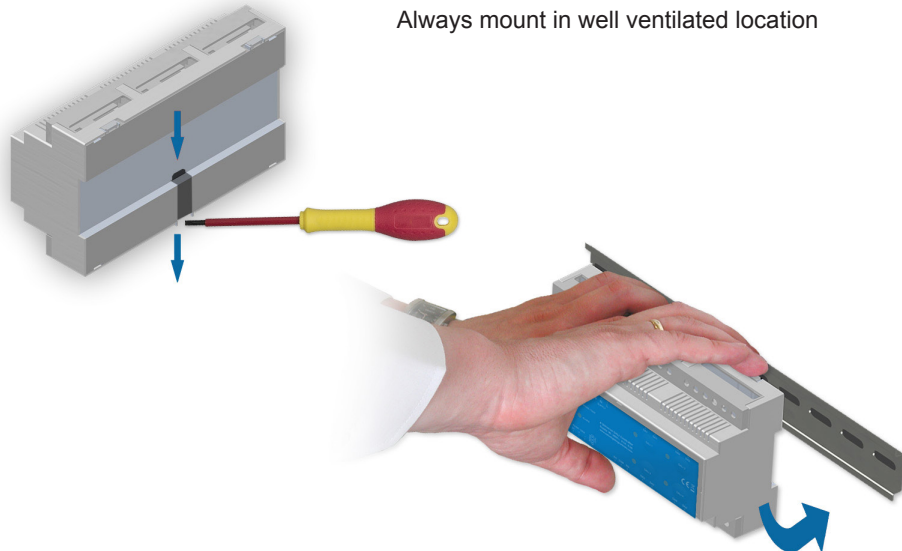


### Typical Network Schematic



### Mounting

Always mount in well ventilated location



### Mechanical

Weight: 0.1 kg

Operating temperature: 0°C to +50°C

Max storage temperature: +60°C

Humidity: +5 to 95% non-condensing

Environmental protection: IP20

Installation: Installation must be carried out by a suitably qualified electrician and installed in a suitable DINrail enclosure rated for the intended environment.

### Electrical

Supply: 15Vdc via iCANnet™ @60mA

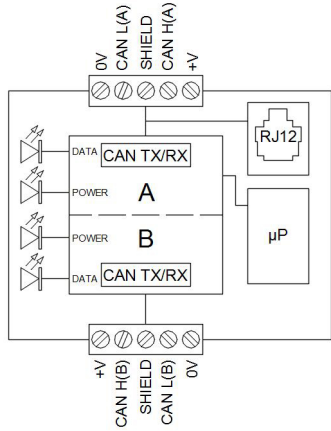
iCANnet™ inputs/output: Screw terminals

**Note:** This product does not provide galvanic isolation between the A and B sides.

# CR1-RJ

iCANnet to iCANnet  
Repeater

## Block schematic



## Device LEDs

**Data A LED**  
Red LED - Flashes to show CAN traffic (Panel)

**PWR A LED**  
Green LED - Status (Regular flash = ok.  
Short pulse with long off = Device is locked)

**PWR B LED**  
Green LED - Status (Regular flash = ok.  
Short pulse with long off = Device is locked)

**Data B LED**  
Red LED - Flashes to show CAN traffic (Field)

