



## Mechanical

Weight: 2.5kg

UK Version - Mains Cable Access:

2 x 25mm and 2 x PG16 knockouts

Control Cable Access:

1 x 25mm and 1 x PG16 knockout

Climate Range:

Temperature: +2°C to +40°C

Humidity: +5 to 95% non condensing

Control Connection:

iCANnet™ network x 2 (Suitable for Belden 1502)

CAN termination link

RJ12 socket for network programming

DMX terminals (DMX-512A)

DMX termination link

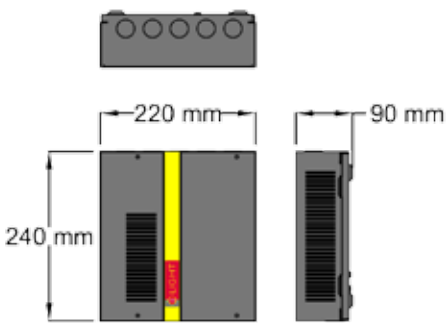
RS485 terminals

Alarm input x 2

Digital outputs x 8

Analogue / Digital inputs x 8

## Dimensions



## Electrical

Supply:

230 volts +/- 10% 50/60 Hz 1 Amp (optionally, 127 volt 60 Hz)

Protection: Requires external circuit breaker

Load Types:

DMX controlled loads (96 DMX addresses total)

8 x Relay outputs 3Amps AC for general use resistive, incandescent lamps (tungsten) electric discharge (ballast) loads and 1/4 HP AC motor loads to use at 230VAC. Normally open and normally closed terminals available for line or low voltage use.

Terminal Sizes:

Incoming supply, max cable size: 4mm<sup>2</sup>

Relay terminals: 4mm<sup>2</sup>

iCANnet™ network cable size: 5 x 1mm<sup>2</sup>

DMX output: 4 x 1mm<sup>2</sup>

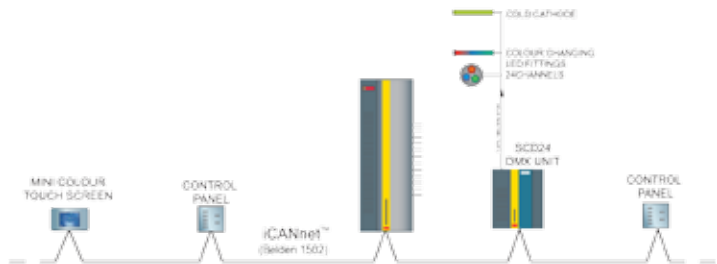
Memory:

FLASH memory to be able to upgrade software

EEPROM for 128 scene memory

Fade Times: 0.1 seconds to 60 minutes

## Typical Schematic



## Contact your local Eaton office

20 Greenhill Crescent, Watford Business Park,

Watford, Herts, WD18 8JA. UK

T: +44 (0)1923 495496 F: +44 (0)1923 228796

E: enquiries@iLight.co.uk www.iLight.co.uk

### Eaton Lighting Systems

20 Greenhill Crescent,  
Watford Business Park,  
Watford, Herts, WD18 8JA. UK  
eatonlightingsystems.com

© 2017 Eaton  
All Rights Reserved

Document No: SCD96 Rev5 1115

Changes to the products, to the information contained in this document, and to prices are reserved; so are errors and omissions.

Eaton is a registered trademark.

All other trademarks are property of their respective owners.

**EATON**

Powering Business Worldwide

CE

