

SCD24

24 Channel DMX Source Controller

Key Features

- 24 channel DMX source controller module
- 128 scene memory
- Suitable for 5 Amp single phase supply
- iLight iCAN network inputs
- Configuration stored in Non Volatile EEPROM
- Firmware storage in reflashable FLASH memory over iCAN network
- CE compliant to all relevant standards
- Designed and manufactured to ISO9001:2015 standards

Overview

The iLight 24 channel DMX source controller is designed to provide control of any DMX512 controllable device. This product is of particular use for controlling DMX LED colour changing units and entertainment devices. Each channel can be assigned a DMX channel from within iCANsoft. The SCD24 can be controlled like any other iLight Source Controller using any of the iLight user interfaces to activate scenes and sequences.



Powering Business Worldwide

Mechanical

Weight: 2.5kg

UK Version - Mains Cable Access:

2 x 25mm and 2 x PG16 knockouts

Control Cable Access:

1 x 25mm and 1 x PG16 knockout

Climate Range:

Temperature: +2°C to +40°C

Humidity: +5 to 95% non condensing

Control Inputs:

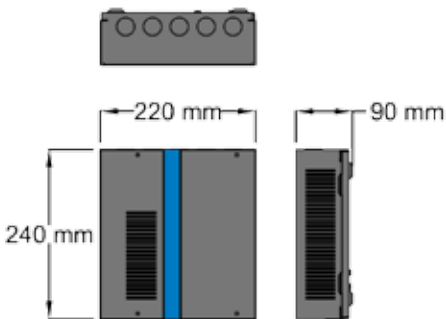
Two sets of terminals for the iCANnet™ network

Suitable for Belden 1502

One RJ12 socket for programming the iCANnet™ network

One set of terminals for the DMX output

Dimensions



Electrical

Supply: 230 volts +/- 10% 50/60 Hz 1 Amp
(optionally, 127 volt 60 Hz)

Protection: Requires external circuit breaker

Load Types:

DMX controlled loads

Terminal Sizes:

Incoming supply, max' cable size: 4mm²

iCANnet™ network cable size: 5 x 1mm²

DMX output: 2 x 1mm²

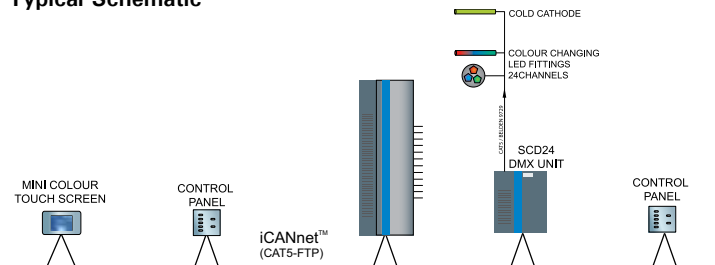
Memory:

FLASH memory to be able to upgrade software

EEPROM for 128 scene memory

Fade Times: 0.1 seconds to 60 minutes

Typical Schematic



Contact your local Eaton office

T: +44 (0)1923 495495 F: +44 (0)1923 228796

E: enquiries@iLight.co.uk www.iLight.co.uk

Eaton Lighting Systems
20 Greenhill Crescent,
Watford Business Park,
Watford, Herts, WD18 8JA. UK
eatonlightingsystems.com

© 2018 Eaton
All Rights Reserved

Document No: SCD24 Rev8 0318

Changes to the products, to the information contained in this document, and to prices are reserved; so are errors and omissions.

Eaton is a registered trademark.

All other trademarks are property of their respective owners.

EATON

Powering Business Worldwide

CE

