

# RI-2

## Relay Interface

### Key Features

- 8 Switch Outputs, for LED indication
- 8 Relay Outputs – volt free changeover contacts with 3A general rating
- 8 inputs, programmable as analogue or digital
- Digital inputs used for volt free switches, or motion detectors
- Analogue inputs any 0-10v signal
- 2 alarm / auxiliary inputs
- Audio visual port RS485 including 100 input strings, 100 output strings and selectable Baud rate.
- 16 sequences of 128 steps
- Configuration stored in Non Volatile EEPROM
- Firmware storage in reflashable FLASH memory over iCAN network
- Configurable start up mode
- CE compliant to all relevant standards
- Designed and manufactured to ISO9001:2008 standards

### Overview

RI-2 provides a versatile interface between an iLight system and other control systems. This compact unit can be mounted virtually anywhere. It has eight inputs, which may be programmed to be either digital or analogue. The unit also has eight volt-free mains rated low power relays. These allow a wide range of external equipment to be controlled. All inputs and outputs are fully programmable as to their function.

This interface allows the iLight iCANnet™ network to control other systems and other systems to communicate with the iCANnet™ network. RI-2 may be programmed to control curtains & blinds, screens, AV and other presentation equipment as well as controlling contactors for heavier power applications. With the control inputs set to analogue, any 0-10V source can be programmed to control system functions. The unit could also be programmed such that system sequences could be activated by a motion detector or other devices on the iCANnet™ network. The adaptability and versatility of this product make it an essential item in larger, more sophisticated venues where more than just lighting control is required.



## Mechanical

Power/Output Cable Access:  
5 x 25mm knockouts, 5 x PG16 knockouts

Control Cable Access: 1 x 25mm knockout,  
1 x PG16 knockout

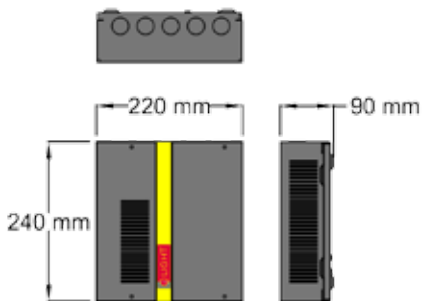
Climate Range:  
Temperature: +2°C to +40°C  
Humidity: +5 to 95% non condensing

Control Inputs:  
Two sets of terminals for the iCANnet™ network  
One set of terminals for Audio Visual Port RS485  
One set of terminals for the switch inputs

Control Outputs:  
One set of terminals for the LED outputs

Relay Outputs:  
One set of terminals for the relay outputs

## Dimensions



## Electrical

Supply: 230 volts +/-10% 50/60Hz

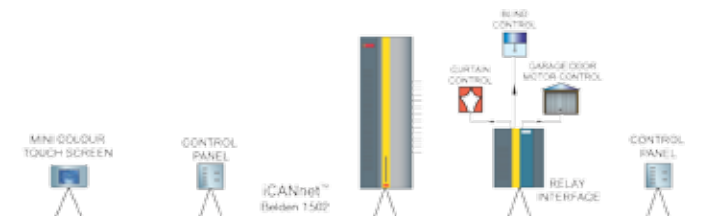
Protection: External protection required.  
Internal Electronics fuse only

Terminal Sizes:  
iCANnet™ cable size: 5 x 1.5mm<sup>2</sup>  
Control input cable size: 10 x 1.5mm<sup>2</sup>  
Switch output cable size: 9 x 1.5mm<sup>2</sup>  
Audio Visual Port cable size: 2 x 1.5mm<sup>2</sup>  
Relay output cable size: 24 x 1.5mm<sup>2</sup>

Switched outputs:  
8 x Volt free relays – changeover contacts rated  
230volts +/-10% 50/60Hz 3A resistive max

Memory  
FLASH memory to be able to upgrade firmware  
EEPROM for program and sequence memory

## Typical Schematic



## Contact your local Eaton office

20 Greenhill Crescent, Watford Business Park,  
Watford, Herts, WD18 8JA. UK  
T: +44 (0)1923 495496 F: +44 (0)1923 228796  
E: enquiries@iLight.co.uk www.iLight.co.uk

**Eaton Lighting Systems**  
20 Greenhill Crescent,  
Watford Business Park,  
Watford, Herts, WD18 8JA. UK  
eatonlightingsystems.com

© 2017 Eaton  
All Rights Reserved

Document No: RI-2 Rev4 1115

Changes to the products, to the information  
contained in this document, and to prices are  
reserved; so are errors and omissions.

Eaton is a registered trademark.

All other trademarks are property  
of their respective owners.