

MTS6 & MTS12

DALI Ceiling Sensor with PIR, Daylight & Temperature Measurement

Key Features

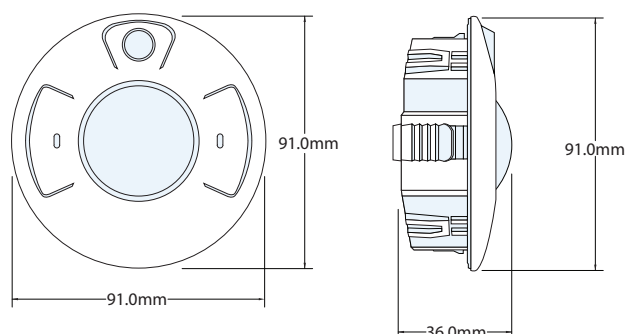
- Daylight sensing, occupancy detection and temperature measurement technologies combined into a single device
- All device settings (timers, sensitivity and groups) programmable through software, no physical adjustments needed
- Ultra low profile and small diameter provides an aesthetically pleasing design
- Draws power from the DALI communication bus to eliminate the need for external power packs
- Sharing sensor data with third party automation systems significantly reduces total bill of materials
- Robust communication interface withstands accidental connection to power lines (up to 347V)

Overview

The iLight DALI Multi-Sensor combines daylight sensing, occupancy detection and temperature measurement into a single device. The Multi-Sensor communicates over the Digital Addressable Lighting Interface (DALI) and allows for all device settings and groups to be adjusted remotely.



Dimensions

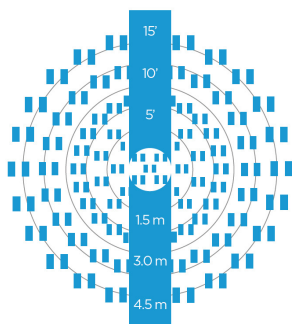


Powering Business Worldwide

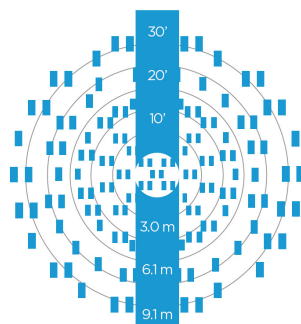
Technical Information

Performance	Input Voltage: 9.5 - 22.5 VDC supplied by DALI communication bus
	Coverage: MTS6 = 55m ² or MTS12 = 110m ² at 2.4m ceiling height
	Occupancy Detection Technology: Passive Infrared (PIR)
	Lens Type: Multi-level Fresnel 360°
	Daylight Sensing Range: 0 to 400 lux
	Daylight Sensing Coverage: Light input within 60° cone
	Temperature Detection Range: 0°C to 40°C
	Status Indicator: LED
Wiring & Mounting	Operating Environment: 0°C to 40°C For indoor use only
	Dimensions: 91mm x 91mm x 36mm
Wiring & Mounting	DALI: 0.75mm ² (18 AWG) stranded PTFE plenum rated non-polarized pair
	Mounting: 101.5mm (4") octagon junction box or 76mm (3") hole in ceiling tile
Control Specification	Communication Interface: Digital Addressable Lighting Interface (DALI)
	DALI Current Draw: 3.75mA
Standards	Manufactured in an ISO 9001 certified factory

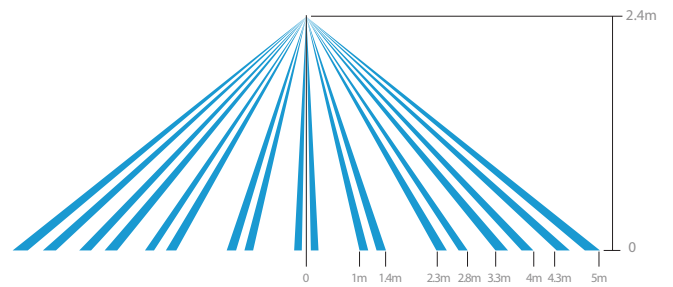
Detection



MTS6 Coverage

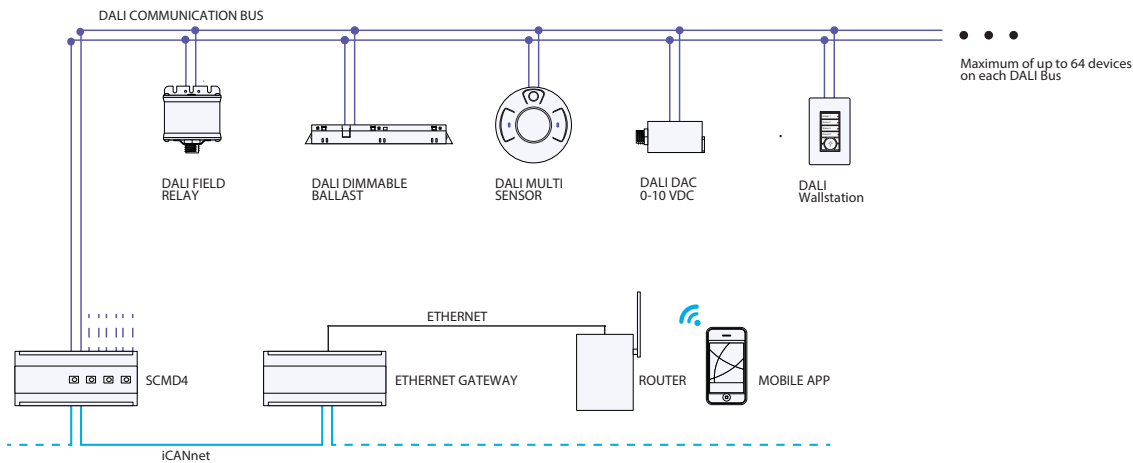


MTS12 Coverage



MTS6 Coverage

Typical Schematic



Contact your local Eaton office

20 Greenhill Crescent, Watford Business Park,
Watford, Herts, WD18 8JA. UK
T: +44 (0)1923 495496 F: +44 (0)1923 228796
E: enquiries@iLight.co.uk www.iLight.co.uk

Eaton Lighting Systems
20 Greenhill Crescent,
Watford Business Park,
Watford, Herts, WD18 8JA. UK
eatonlightingsystems.com

© 2017 Eaton
All Rights Reserved

MTS6 & MTS12 Rev3 0317

Changes to the products, to the information
contained in this document, and to prices are
reserved; so are errors and omissions.

Eaton is a registered trademark.

All other trademarks are property
of their respective owners.