



# DALI Input Unit

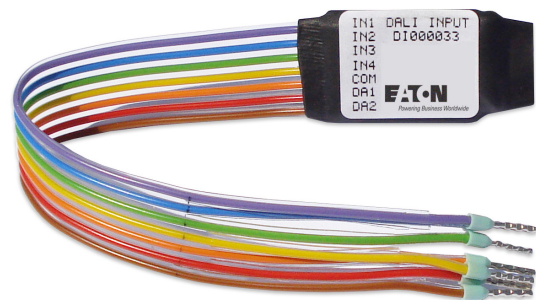
## DALI input unit with 4 user inputs

### Key Features

- Powered from DALI bus, compatible with standard DALI rating
- Up to four user inputs
- DALI consumption < 9 mA
- Suitable for inclusion into all standard size back boxes

### Cable colours

- Purple: Input 1
- Blue: Input 2
- Green: Input 3
- Yellow: Input 4
- Orange: COM
- Red: DALI bus
- Brown: DALI bus



### Overview

The DALI Input Unit is a fully DALI-compatible interface, designed to allow customer specified switches, sensors, time clocks or other on/off control devices to be incorporated into a standard DALI installation. The DALI Input Unit is a small, pre-wired, encapsulated PCB module and it is suitable for inclusion into all standard size back boxes together with a suitable mains rated switch.

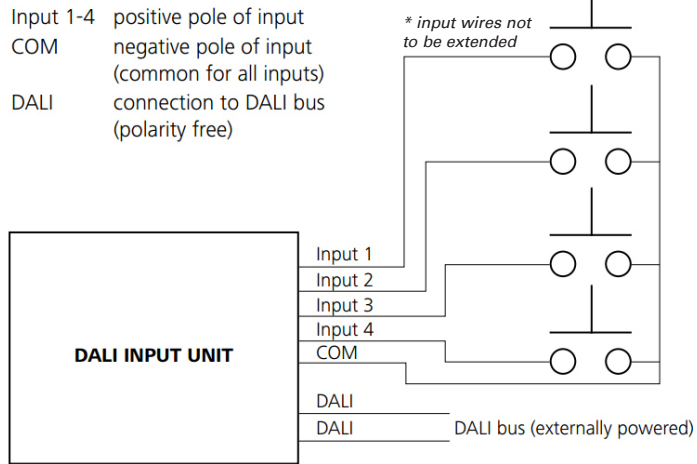
## Function

DALI Input Unit detects short-circuit connection between wires Input 1-4 and COM. Module is designed to be used with standard push buttons – short-circuit connection is the active state.

DALI Input Unit is a DALI powered device therefore external DALI power supply has to be connected on the DALI line.

Note: The push buttons used as input devices for DALI Input Unit must have mains rating (DALI bus provides basic insulation only).

## Wiring Diagram



## Technical Information

### Connections

Mains cable: Wires AWG 24 (0.5mm<sup>2</sup>)  
 DALI cable: Wires AWG 24 (0.5mm<sup>2</sup>)

### Power

DALI voltage: 12-25VDC  
 DALI consumption: <9mA

### Control Inputs

Voltage range: Open 5VDC / closed max. 0.3VDC  
 Current range: Max. 1mA

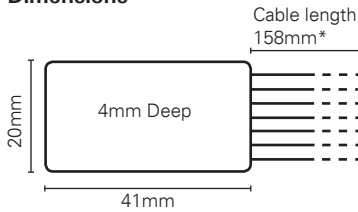
### Mechanical data

Housing: Encapsulated PCB  
 Weight: 10g

### Operating conditions

Ambient temp. range: 0°C - +40°C  
 Relative humidity: 85% (non-condensing)  
 Storage temp. range: -40°C - +70°C

## Dimensions



\*Do not extend cables

## Contact your local Eaton office

20 Greenhill Crescent, Watford Business Park,  
 Watford, Herts, WD18 8JA. UK  
 T: +44 (0)1923 495496 F: +44 (0)1923 228796  
 E: enquiries@iLight.co.uk www.iLight.co.uk

**Eaton Lighting Systems**  
 20 Greenhill Crescent,  
 Watford Business Park,  
 Watford, Herts, WD18 8JA. UK  
 eatonlightingsystems.com

© 2017 Eaton  
 All Rights Reserved

DALI Input Unit Rev2 0617

Changes to the products, to the information contained in this document, and to prices are reserved; so are errors and omissions.

Eaton is a registered trademark.

All other trademarks are property of their respective owners.

**EATON**

Powering Business Worldwide

