

FLT-HPRS-DALI
FLT Cat. No. 10502



WIRING DIAGRAM

DALI (Purple)
DALI (Purple)



Line Input Voltage **120V-347V**
Line Current **20 A**
DALI Voltage **22.5 VDC**
DALI Current **3.75 mA**
*Tungsten Load **120 V / 20A**

Ambient operating temperature / Temperature de fonctionnement

Power must be disconnected before installation or servicing

FLT-HPRS-DALI

DALI Field Relay

Key Features

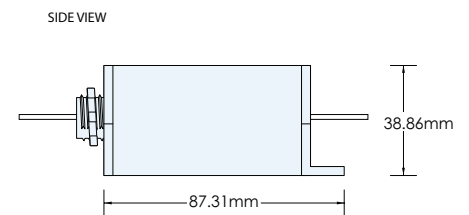
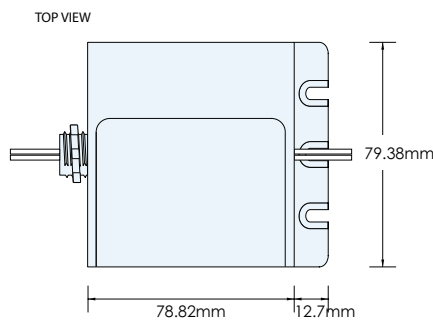
- Integrated DALI communication interface (can be run in the same conduit as power lines)
- Universal Voltage Input (120V - 347V)
- Automatic loss of power detection defaults relay to closed (On) position
- Rated for Receptacle loads

Overview

The iLight Field Relay provides On/ Off control and network connectivity in order to conserve energy and effectively manage the lighting system. The Field Relay uses advanced switching technology specifically designed to handle the large inrush currents and inductive loads found in lighting applications.



Dimensions

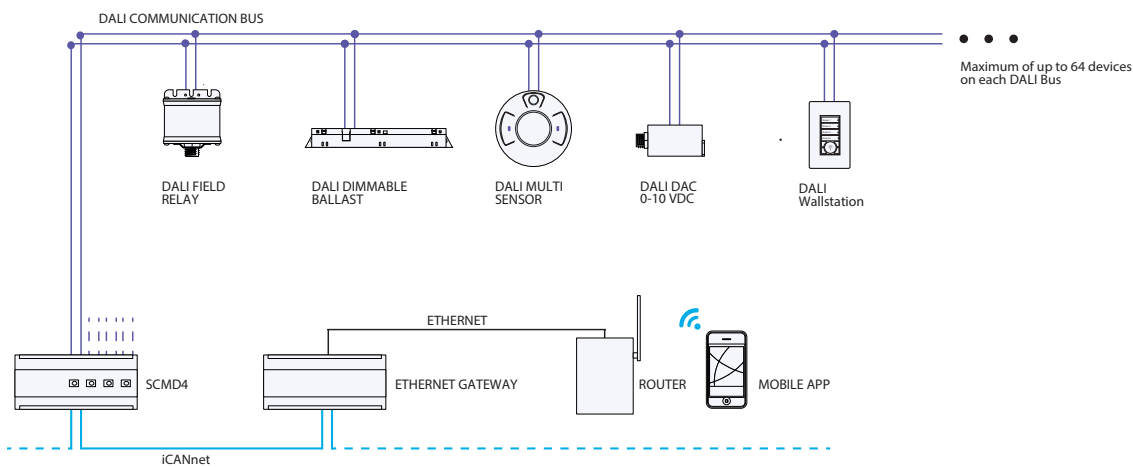


Powering Business Worldwide

Technical Information

Input Voltage	120-347 VAC +/- 10%
Maximum Load	20 Amps
Input Frequency	50/60 Hz
Operating Environment	0°C to 70°C For indoor use only
Dimensions	38.86mm x 79.40mm x 87.38mm
Wiring & Mounting	Relay: 2.5mm ² (12AWG) stranded THHN non-polarized pair DALI: 0.75mm ² (18AWG) stranded PTFE plenum rated non-polarized pair Mounting: Fixture or junction box 12.5mm (1/2") knockout
Control Specification	Communication Interface: Digital Addressable Lighting Interface (DALI) DALI Current Draw: 3.75mA
Standards	Manufactured in an ISO 9001 certified factory

Typical Schematic



Contact your local Eaton office

20 Greenhill Crescent, Watford Business Park,
Watford, Herts, WD18 8JA. UK
T: +44 (0)1923 495496 F: +44 (0)1923 228796
E: enquiries@iLight.co.uk www.iLight.co.uk

Eaton Lighting Systems
20 Greenhill Crescent,
Watford Business Park,
Watford, Herts, WD18 8JA. UK
eatonlightingsystems.com

© 2017 Eaton
All Rights Reserved

FLT-HPRS-DALI Rev1 0416

Changes to the products, to the information
contained in this document, and to prices are
reserved; so are errors and omissions.

Eaton is a registered trademark.

All other trademarks are property
of their respective owners.

EATON

Powering Business Worldwide

DALI

CE

ISO 9001
Quality Management

CARBON
TRUST
SUSTAINABLE
TECHNOLOGY
YEAR ON YEAR